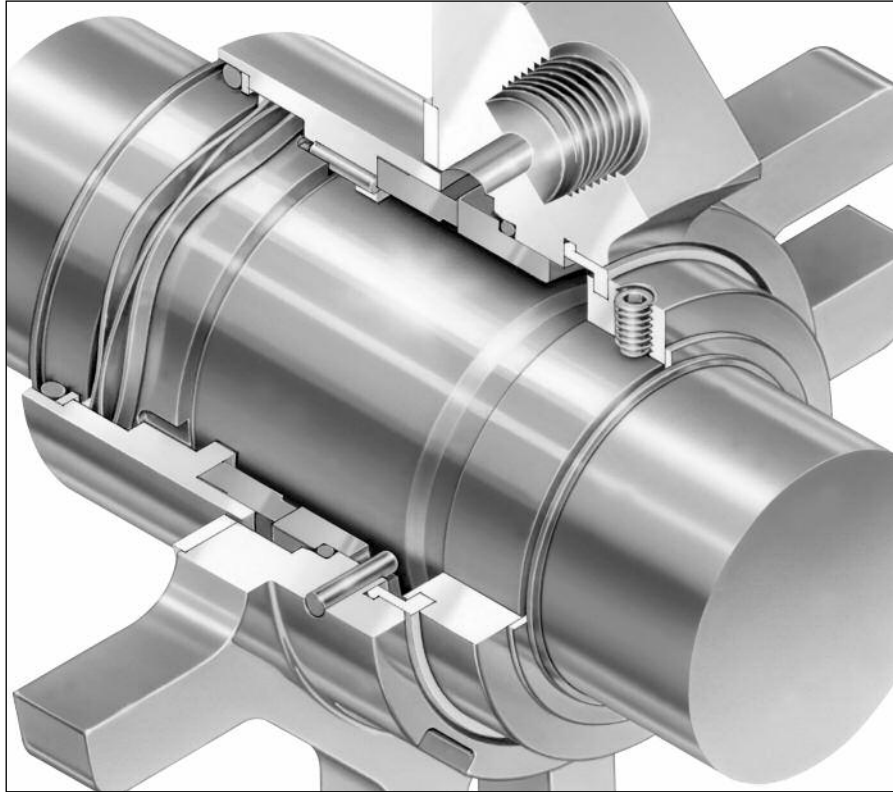


# TYPE 4610/4620P

## WITH BIG BORE GLAND

Technical Specification



4610 shown

### Product Description

The 4600 series cartridge seal, available off-the-shelf the world over, is the complete, affordable solution for liquid sealing satisfaction in industrial applications.

Type 4600 series meets key industry pump standards, and is designed to permit use in rotating shaft equipment including ANSI/DIN pumps, close-coupled pumps, vertical pumps, and similar rotating shaft equipment.

### Typical Applications

- Water and wastewater
- Pulp and paper
- Power generation
- Chemical
- Food and beverage
- Pharmaceutical
- Mining
- Steel production
- General industrial

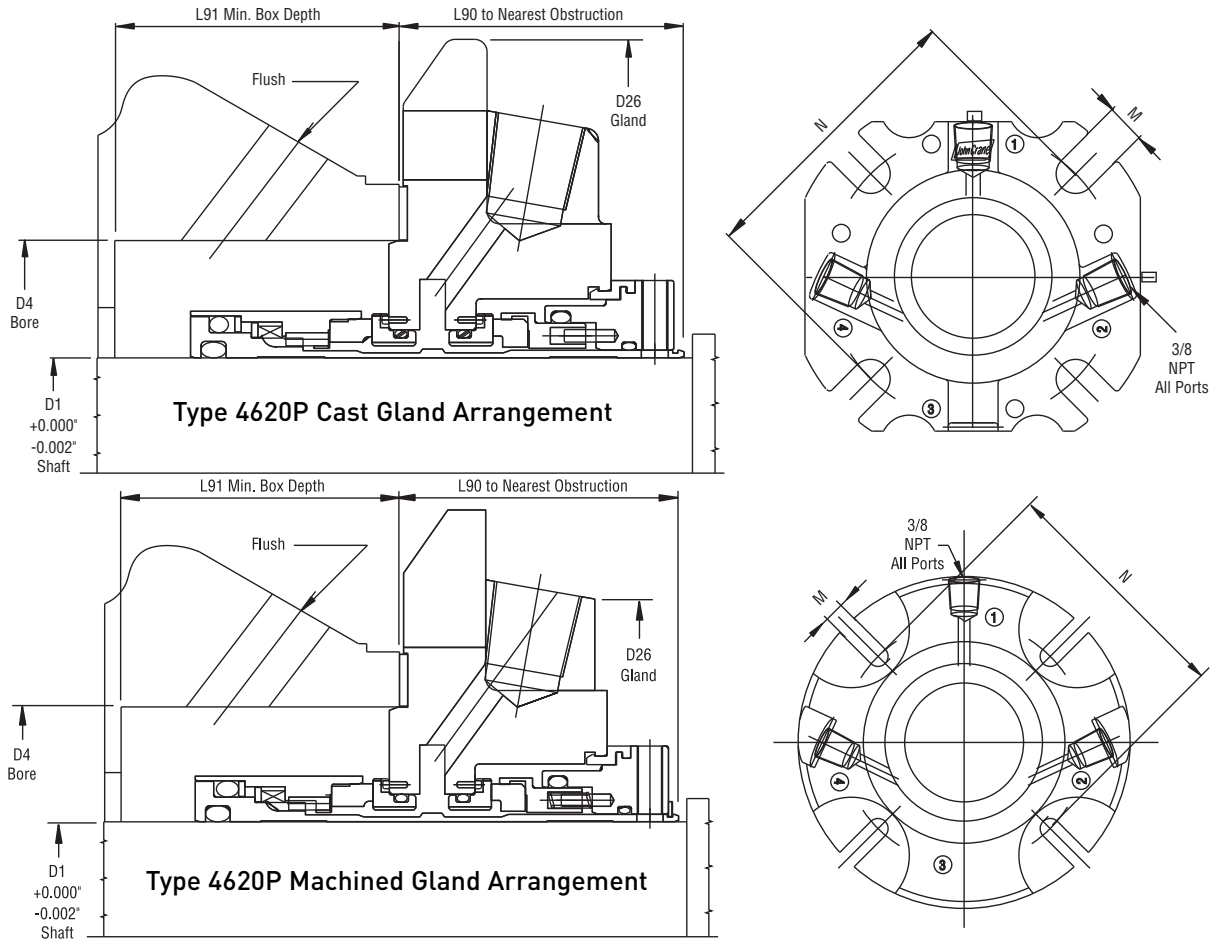
### Design Features

- 4610 single O-ring cartridge seal
- Optimized running face design
- Non-clogging, crest-to-crest wave spring
- Unique centralizing ring
- Compact cartridge design
- 4620P dual O-ring cartridge seal with pumping ring
- Dual seal arrangement
- Pumping ring comes standard
- Flow-optimized design
- Cartridge design

# TYPE 4610/4620P

## WITH BIG BORE GLAND

### Type 4620P Typical Arrangement



### Type 4620P Dimensional Data (inches)

#### Cast Gland

Pump Manufacturer	D1 Shaft Size	D4 Box Bore		D26	L90	L91	M	N
		Min.	Max.					
Durco Mk III Group IK, Goulds 3196 STX, Sulzer ALB #1	1.375	2.875	3.023	5.375	2.125	1.603	0.562	4.062
Goulds 3196 MTX	1.750	3.500	3.925	6.500	2.187	1.680	0.687	5.093
Durco Mk III Group II	1.875	3.625	3.734	6.500	2.187	1.680	0.687	5.093
Goulds 3196 XLTX	2.500	4.750	4.875	8.000	2.532	1.859	0.687	6.062
Durco Mk III Group III	2.625	4.625	4.740	8.000	2.562	1.727	0.687	6.062
Goulds 3196 X-17	2.750	4.750	4.875	8.000	2.532	1.820	0.687	6.062

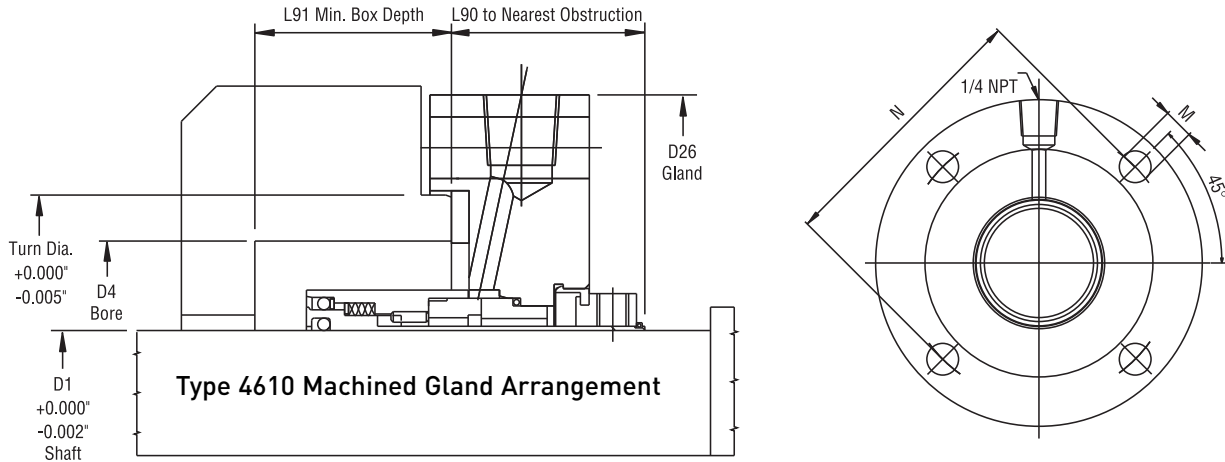
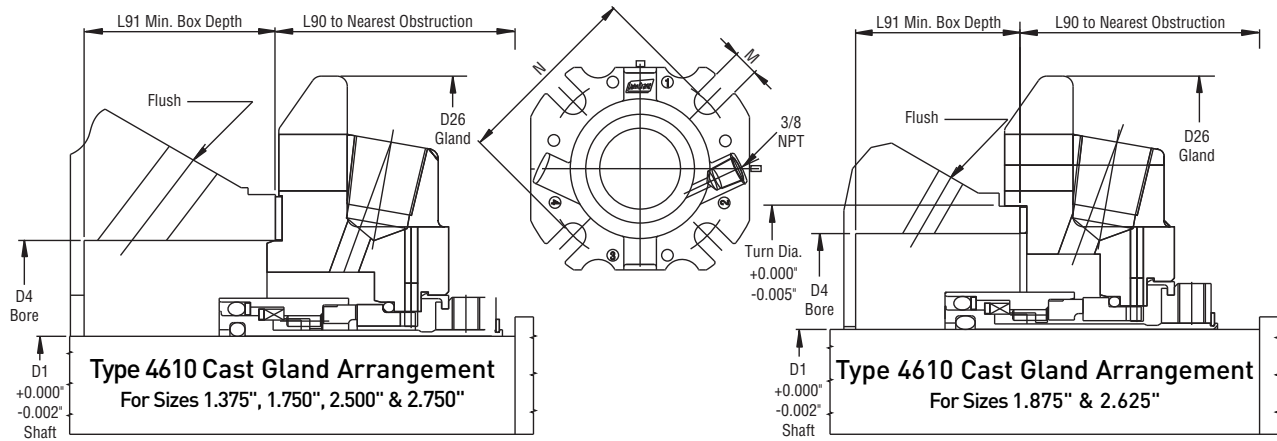
#### Machined Gland

Goulds 3196 LTX	2.125	3.875	4.250	7.156	2.408	1.742	0.687	5.687
Sulzer ALB #2	2.125	4.125	4.250	7.156	2.407	1.742	0.437	5.250
Sulzer ALB #3	2.500	4.750	4.875	8.000	2.532	1.859	0.687	6.062

# TYPE 4610/4620P

## WITH BIG BORE GLAND

### Type 4610 Typical Arrangement



### Type 4610 Dimensional Data (inches)

#### Cast Gland

Pump Manufacturer	D1 Shaft Size	D4 Box Bore		D26	L90	L91	M	N	Turn Dia.
		Min.	Max.						
Durco Mk III Group IK, Goulds 3196 STX, Sulzer ALB #1	1.375	2.875	3.023	5.375	2.059	0.600	0.562	4.062	—
Goulds 3196 MTX	1.750	3.500	3.925	6.500	2.100	0.638	0.687	5.093	—
Durco Mk III Group II	1.875	3.625	3.734	6.500	1.929	0.809	0.687	5.093	4.125
Goulds 3196 XLTX	2.500	4.750	4.875	8.000	2.479	0.377	0.687	6.062	—
Durco Mk III Group III	2.625	4.625	4.740	8.000	2.432	0.424	0.687	6.062	5.125
Goulds 3196 X-17	2.750	4.750	4.875	8.000	2.386	0.470	0.687	6.062	—

#### Machined Gland

Durco Mk III Group IJ	1.125	1.730	2.750	4.500	1.422	1.180	0.437	3.750	3.125
Goulds 3196 LTX	2.125	2.875	4.336	7.125	1.462	1.220	0.687	6.000	4.711
Sulzer ALB #2	2.125	2.875	4.187	7.156	1.462	1.220	0.437	5.250	4.562
Sulzer ALB #3	2.500	3.250	4.750	8.000	1.462	1.220	0.562	6.000	5.125

# TYPE 4610/4620P

## WITH BIG BORE GLAND

### Materials of Construction

SEAL COMPONENTS	MATERIALS	
	Description	Standard
Face/Primary Ring	Carbon Graphite	Silicon Carbide (Inboard Only)
Seat/Mating Ring	Silicon Carbide	—
O-ring	Fluoroelastomer	Ethylene Propylene Perfluoroelastomer
Springs	Hastelloy C®	—
Gasket, Centering Ring	Glass-filled PTFE	—
Hardware	316 Stainless steel or better	

Hastelloy C is a registered trademark of Haynes International, Inc.



**North America**  
 United States of America  
 Tel: 1-847-967-2400  
 Fax: 1-847-967-3915

**Europe**  
 United Kingdom  
 Tel: 44-1753-224000  
 Fax: 44-1753-224224

**Latin America**  
 Brazil  
 Tel: 55-11-3371-2500  
 Fax: 55-11-3371-2599

**Middle East & Africa**  
 United Arab Emirates  
 Tel: 971-481-27800  
 Fax: 971-488-62830

**Asia Pacific**  
 Singapore  
 Tel: 65-6518-1800  
 Fax: 65-6518-1803

If the products featured will be used in a potentially dangerous and/or hazardous process, your John Crane representative should be consulted prior to their selection and use. In the interest of continuous development, John Crane Companies reserve the right to alter designs and specifications without prior notice. It is dangerous to smoke while handling products made from PTFE. Old and new PTFE products must not be incinerated. ISO 9001 and ISO14001 Certified, details available on request.