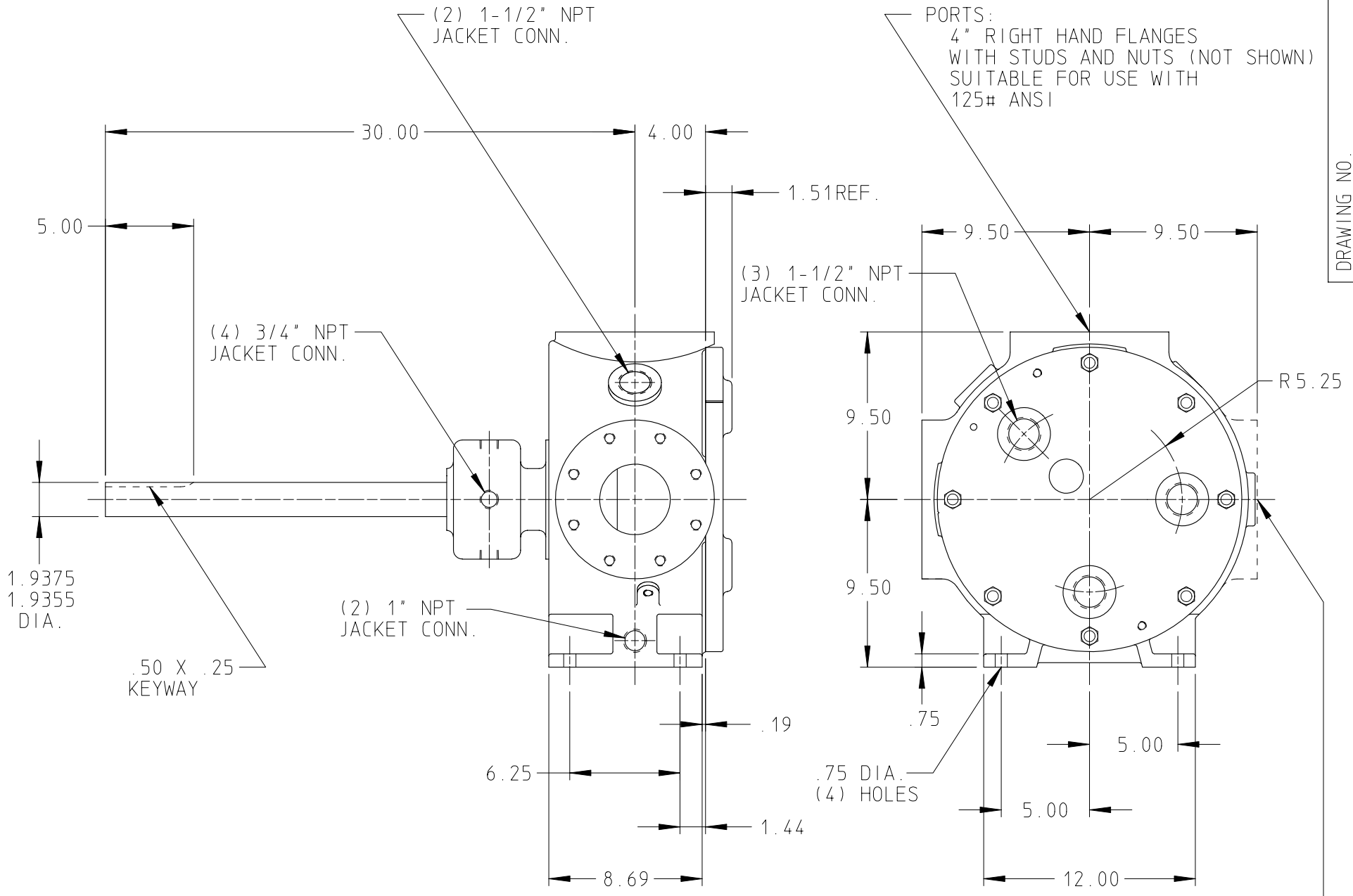


DRAWING NO.  
MV-1139



LEFT HAND PORT SHOWN DOTTED

STANDARD MODELS: M34, M434

DRAWN WUNDERLICH DATE 1 JUL 2003  
 CHECKED CJI DATE 1 JUL 2003

THIS DRAWING IS THE PROPERTY OF VIKING PUMP INC. AND IS PROPRIETARY IN GENERAL AND DETAIL. IT SHALL NOT BE COPIED OR ITS CONTENTS REVEALED TO OUTSIDE PARTIES WITHOUT THE WRITTEN CONSENT OF VIKING PUMP INC.

**VIKING PUMP**  
 VIKING PUMP, INC.  
 A Unit of IDEX Corporation  
 Cedar Falls, Iowa 50613  
 U.S.A.

DRAWING NO.  
MV-1139

REV. A  
1 JUL 2003