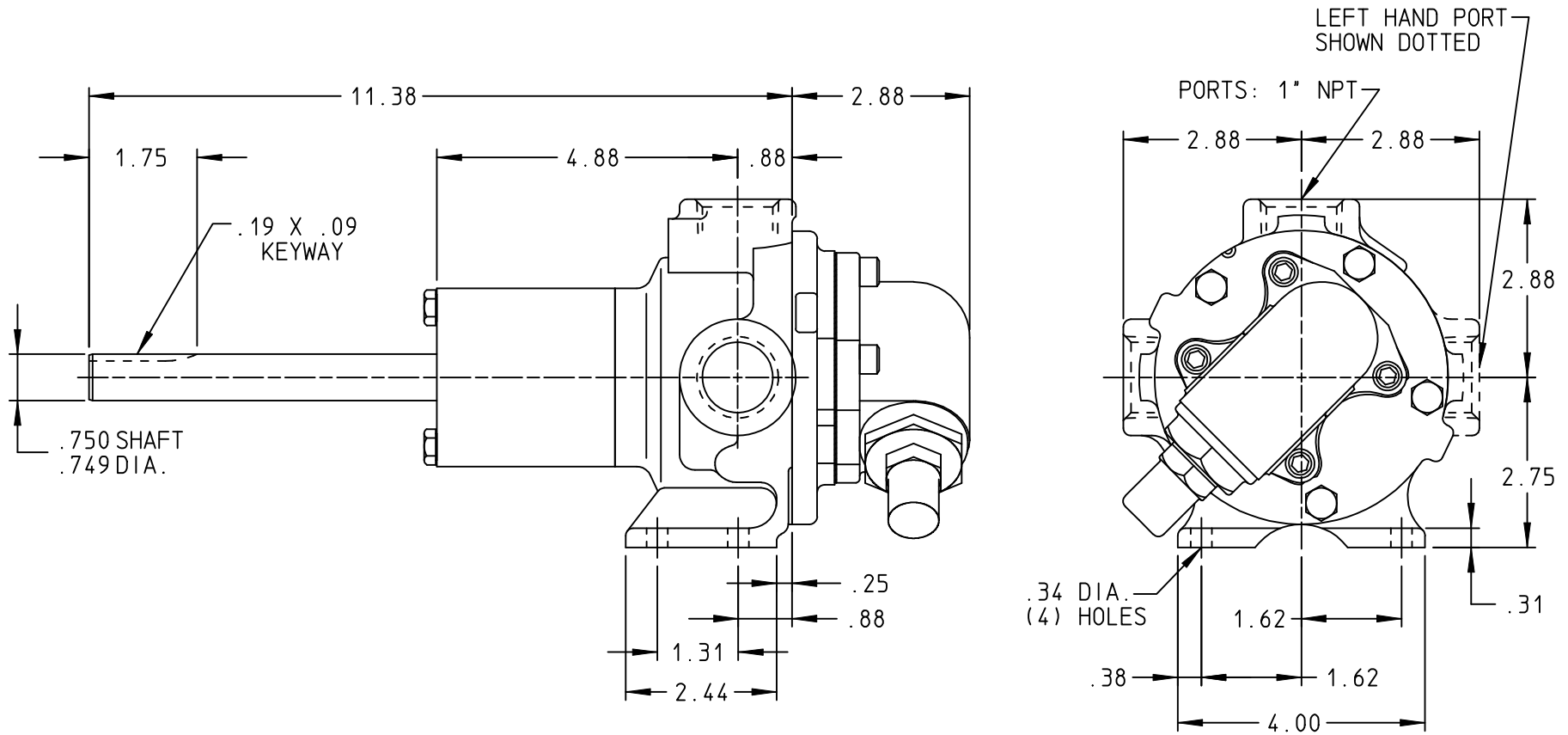


DRAWING NO.
HV-3364



STANDARD MODELS: H432

DRAWN REUTHER DATE 09 JUN 2000
 CHECKED DRS DATE 04 OCT 2000

THIS DRAWING IS THE PROPERTY OF VIKING PUMP INC. AND IS PROPRIETARY IN GENERAL AND DETAIL. IT SHALL NOT BE COPIED OR ITS CONTENTS REVEALED TO OUTSIDE PARTIES WITHOUT THE WRITTEN CONSENT OF VIKING PUMP INC.



VIKING PUMP, INC.
 A Unit of IDEX Corporation
 Cedar Falls, Iowa 50613
 U.S.A.

DRAWING NO.
HV-3364

REV. A
 09 JUN 2000