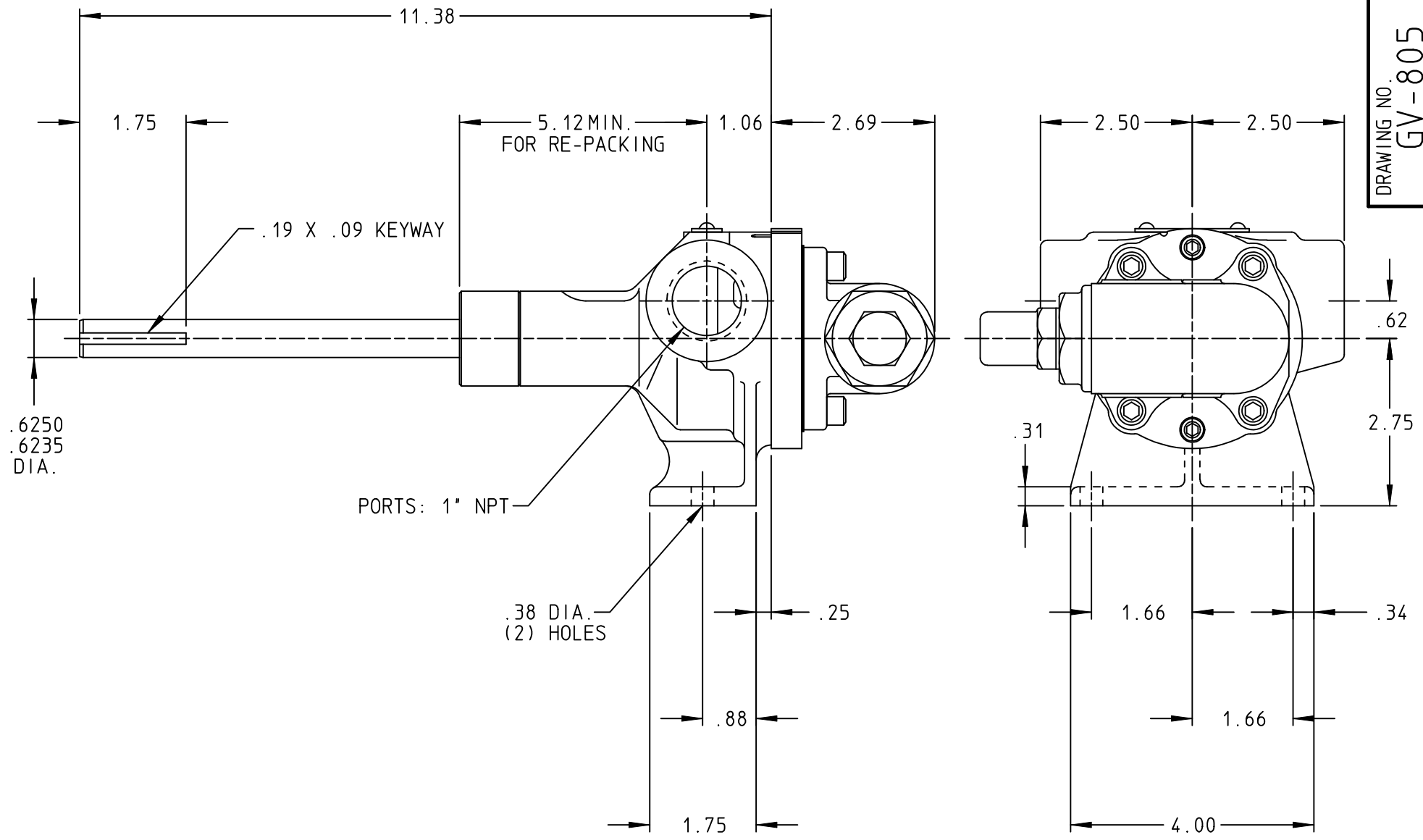


DRAWING NO.
GV-805



STANDARD MODELS: G32

DRAWN DANN DATE 20 NOV 1996
 CHECKED DC DATE 04 DEC 1996

THIS DRAWING IS THE PROPERTY OF VIKING PUMP INC. AND IS PROPRIETARY IN GENERAL AND DETAIL. IT SHALL NOT BE COPIED OR ITS CONTENTS REVEALED TO OUTSIDE PARTIES WITHOUT THE WRITTEN CONSENT OF VIKING PUMP INC.

VIKING PUMP VIKING PUMP, INC.
 A Unit of IDEX Corporation
 Cedar Falls, Iowa 50613
 U.S.A.

DRAWING NO.
GV-805

REV. B
 15 NOV 2000