



NON-MERCURY FLOAT SWITCH - CONTROL DUTY

2900 MECHANICAL SERIES - NARROW ANGLE FLOAT SWITCH

GENERAL

DESIGNED FOR ACCURATE LIQUID LEVEL CONTROL IN MANY APPLICATIONS INCLUDING POTABLE WATER OR SEWAGE ENVIRONMENTS. THE FLOAT SWITCH CAN BE UTILIZED TO SIGNIFY SPECIFIC WATER LEVELS OR FOR DIRECT ALARM ACTUATION.

SWITCH VARIATIONS

NORMALLY OPEN (N/O) - GREEN SHELL

THE CONTACTS ARE OPEN (OR OFF) IN THE HANGING POSITION. AS THE FLOAT RISES 1" (5°) ABOVE HORIZONTAL, THE CONTACTS BECOME CLOSED AND ACTUATE (TURN ON) THE SWITCH. THIS FLOAT IS GENERALLY USED IN PUMP DOWN APPLICATIONS.

NORMALLY CLOSED (N/C) - GREEN/RED SHELL

THE CONTACTS ARE CLOSED (OR ON) IN THE HANGING POSITION. AS THE FLOAT RISES 1" (5°) ABOVE HORIZONTAL, THE CONTACTS BECOME OPEN AND ACTUATE (TURN OFF) THE SWITCH. THIS FLOAT IS GENERALLY USED IN PUMP UP APPLICATIONS.

SINGLE POLE, DOUBLE THROW (SPDT) - GREEN/BLUE SHELL

A VARIATION OF THE PREVIOUSLY LISTED SWITCHES. THIS FLOAT SWITCH CAN BE WIRED TO OPERATE AS EITHER (BUT NOT BOTH) A NORMALLY OPEN OR NORMALLY CLOSED SWITCH BASED ON THE USER'S NEED.

SWITCH SPECIFICATIONS

2900 SERIES MECHANICAL FLOAT SWITCHES ARE DESIGNED TO OPERATE UNDER THE FOLLOWING PARAMETERS.

MINIMUM OPERATING TEMPERATURE	-	32 DEGREES F.
MAXIMUM OPERATING TEMPERATURE	-	170 DEGREES F.
ELECTRICAL RATING	-	10 AMP-120 VAC, 5 AMP-240 VAC
ACTUATION POINT	-	1" ABOVE / BELOW HORIZONTAL.

POWER CORD SPECIFICATIONS

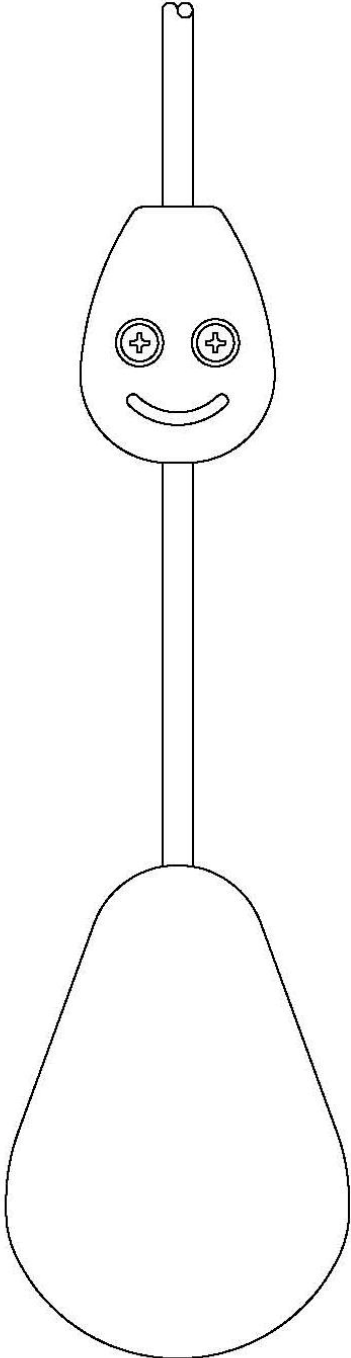
CONDUCTOR CORD - PHYSICAL	-	CHLORINATED POLY ETHYLENE.
ELECTRICAL FOR N/O OR N/C SWITCH	-	18 AWG 2, TYPE SJOOW - 300 V.
ELECTRICAL FOR SPDT SWITCH	-	18 AWG 3, TYPE SJOOW - 300 V.

FLOAT SPECIFICATIONS

DURABLE POLYPROPYLENE MATERIAL CONSTRUCTION.
SOLID POLYURETHANE FOAM INTERIOR.
LEAK PROOF, SHOCK PROOF, AND IMPACT RESISTANT.
RESISTANT TO SEWAGE AND WASTEWATER APPLICATIONS.

CORD WEIGHT

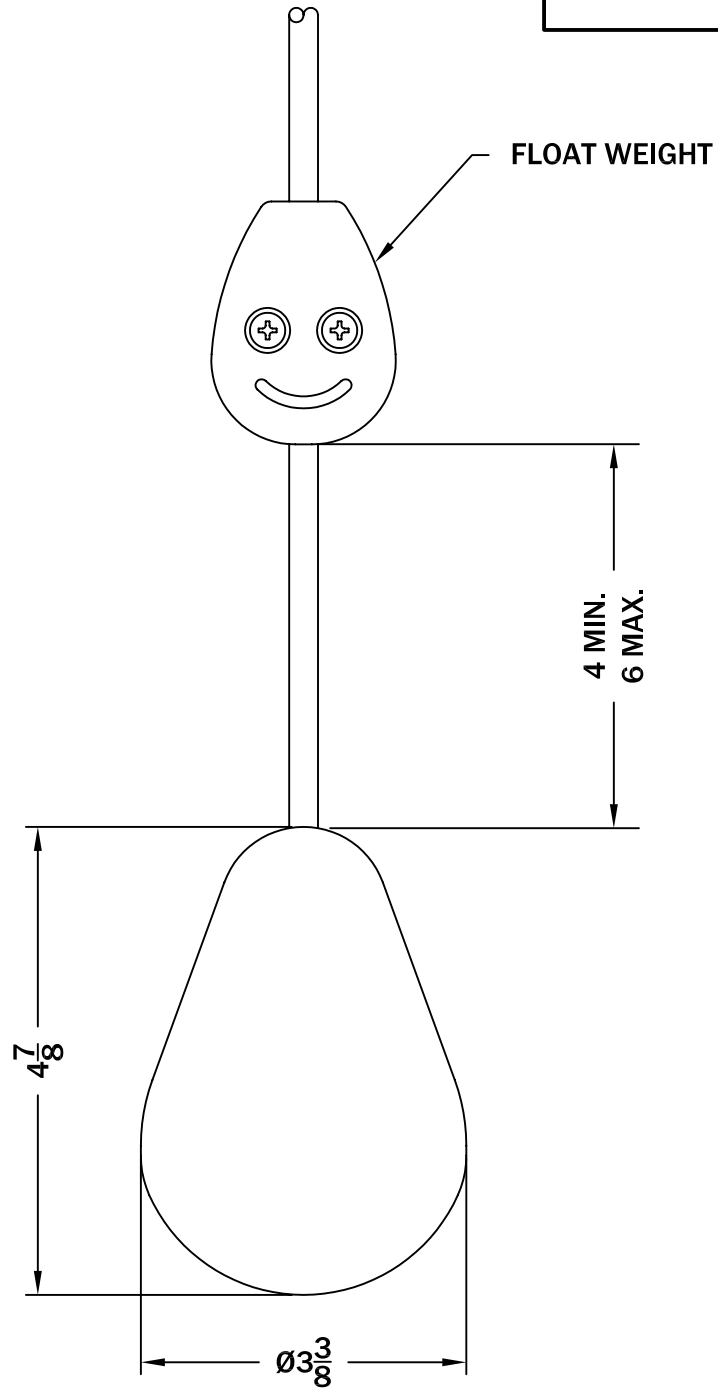
ZINC PLATED CAST IRON - 1.22 LBS.
SPLIT WEIGHT DESIGN ALLOWS FOR EASY ADJUSTMENT.
DESIGN ALLOWS FOR SECURE AND PERMANENT ATTACHMENT TO CORD.



CONERY MFG INC
info@conerymfg.com

1380 ENTERPRISE PKWY
PH (419) 289-1444

ASHLAND, OH 44805
FAX (419) 281-0366



ALL INFORMATION CONTAINED IN THIS DRAWING IS
CONFIDENTIAL AND PROPRIETARY TO CONERY MFG, INC.



CHANGES	TOLERANCES	DRAWN BY	DATE
F	DECIMALS .XXX = ±.005 .XX = ±.010 FRACTIONAL X/X = ±.1/64 ANGLES X° = ±1/2°	D. MIDDLETON	07/30/09
E		MATERIAL SPECIFICATION:	
D			
C			
B			
A			

SPECIFICATION SHEET
MECHANICAL FLOAT

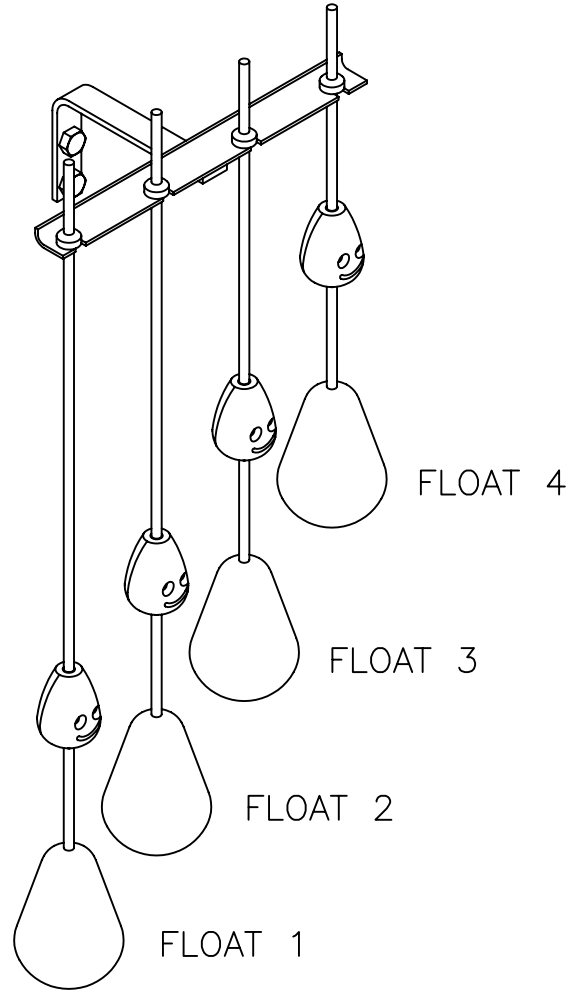
SCALE:
HALF 2900 SERIES B8
NON-MERCURY

NOTE: ALL ELECTRICAL DIAGRAMS SHOWN ARE EXAMPLES ONLY,
 CONSULT WITH LOCAL ELECTRICAL AUTHORITIES AND CODES.
 DO NOT USE THESE PRODUCTS IN GASOLINE, VOLATILES,
 OTHER COMBUSTIBLES.

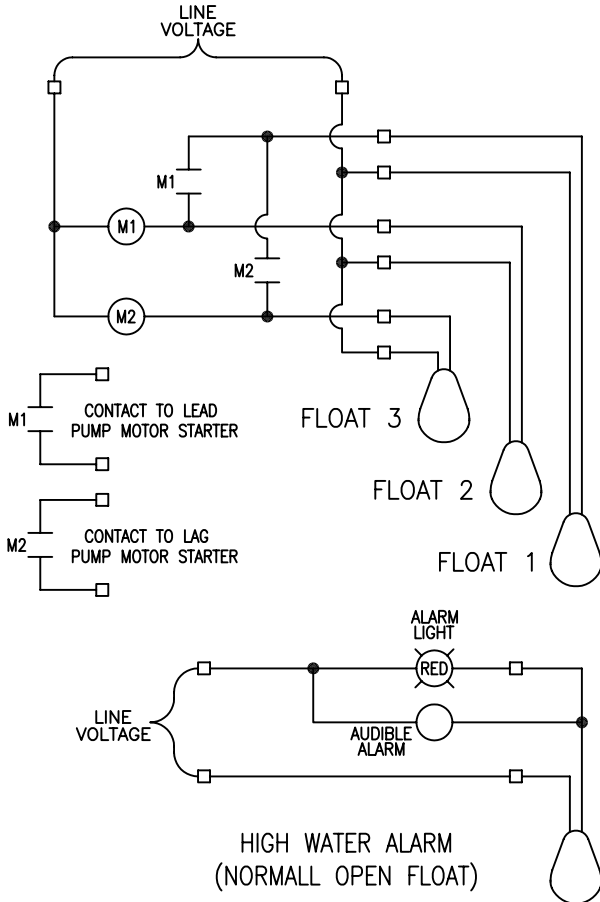
FOR PUMP DOWN USE
 (NORMALLY OPEN FLOATS)
 FOR PUMP UP USE
 (NORMALLY CLOSED FLOATS)
 FOR SPDT FLOATS
 GREEN - N/O
 WHITE - COMMON
 BLACK - N/C



TYPICAL MOUNTING



TYPICAL 2 PUMP USES



ALL INFORMATION CONTAINED IN THIS DRAWING IS
 CONFIDENTIAL AND PROPRIETARY TO CONERY MFG, INC.



CHANGES	TOLERANCES	DRAWN BY	DATE
F	DECIMALS	D. MIDDLETON	07/30/09
E	.XXX = ±.005	MATERIAL SPECIFICATION:	
D	.XX = ±.010		
C	FRACTIONAL		
B	X/X = ±.1/64		
A	ANGLES		
	X' = ±1/2'		

SPECIFICATION SHEET
 MECHANICAL FLOAT

SCALE:
 NONE 2900 SERIES B8
 NON-MERCURY