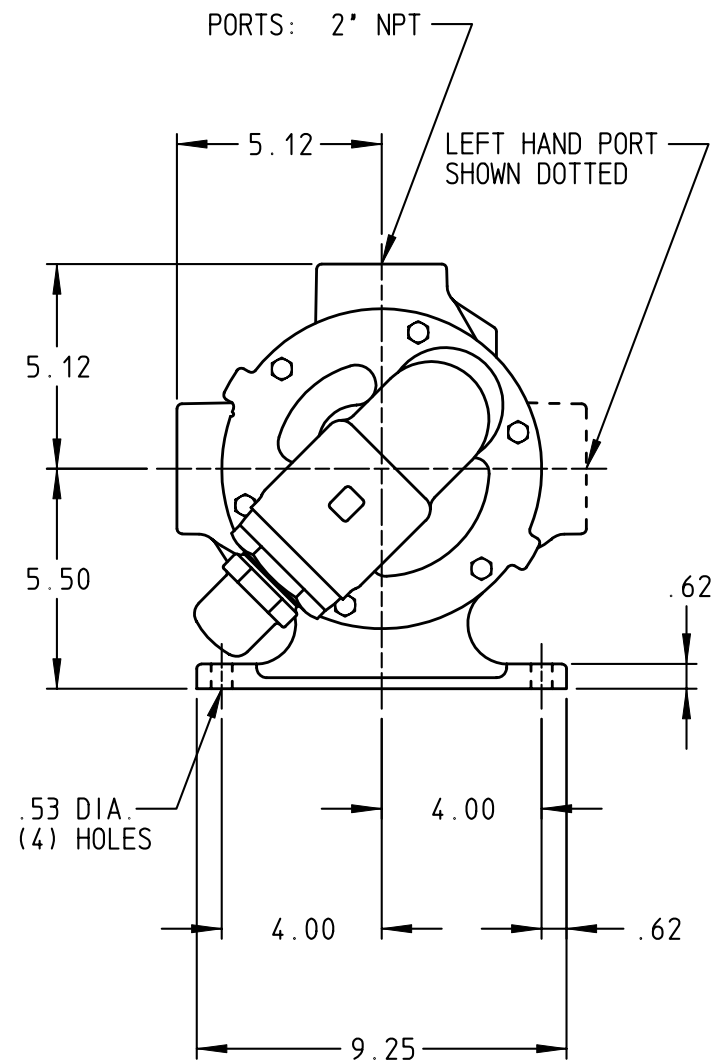
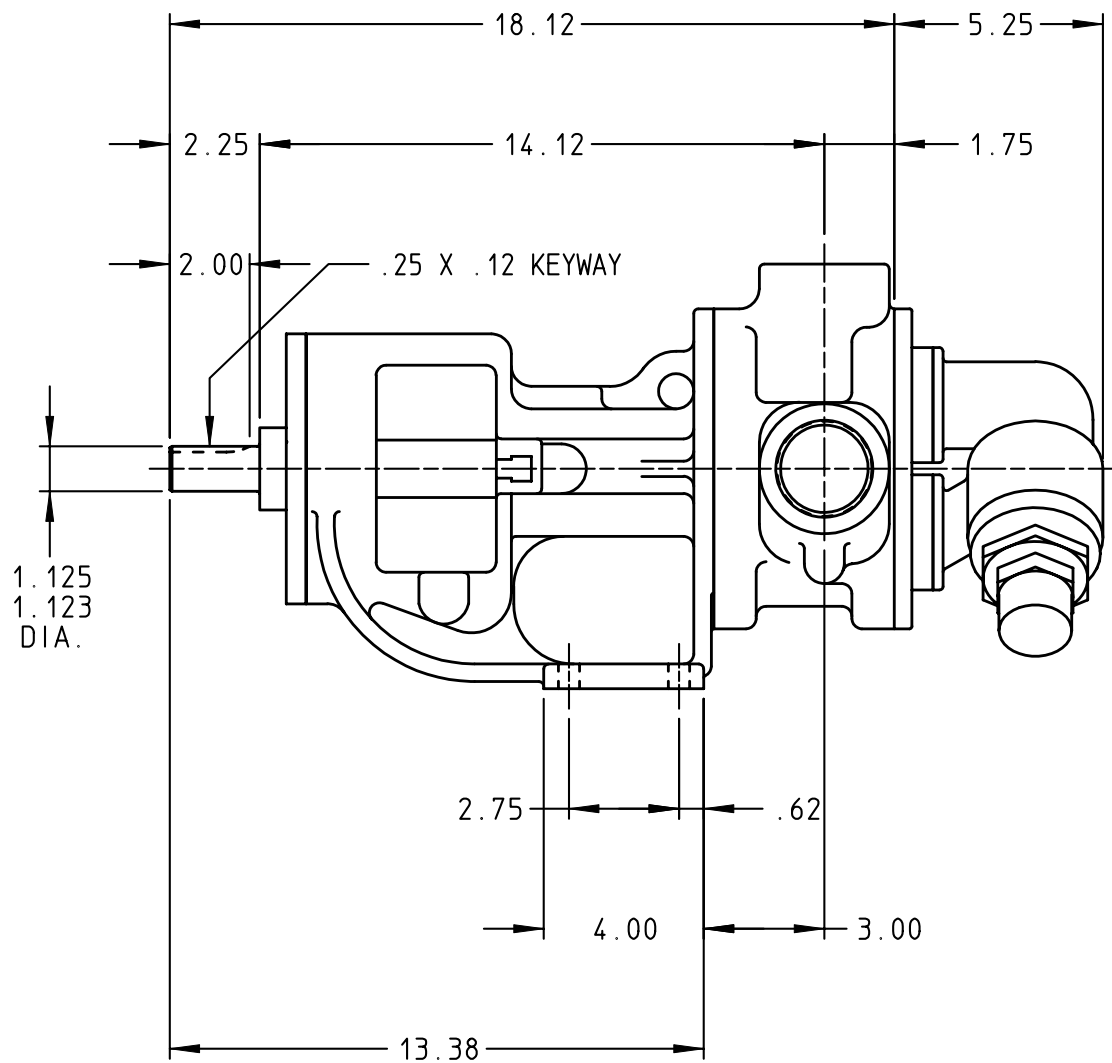


DRAWING NO.  
KV-1902



STANDARD MODELS: K124A, K4124A, KK124A, KK4124A, K126A, K4126A, KK126A, KK4126A, K4124B, KK4124B

DRAWN DANN DATE 30 MAR 1990  
 CHECKED DC DATE 05 APR 1990

THIS DRAWING IS THE PROPERTY OF VIKING PUMP  
 INC. AND IS PROPRIETARY IN GENERAL AND DETAIL.  
 IT SHALL NOT BE COPIED OR ITS CONTENTS  
 REVEALED TO OUTSIDE PARTIES WITHOUT THE  
 WRITTEN CONSENT OF VIKING PUMP INC.



VIKING PUMP, INC.  
 A Unit of IDEX Corporation  
 Cedar Falls, Iowa 50613  
 U.S.A.

DRAWING NO.  
KV-1902

REV. G  
 8 MAY 2003