

NIDEC MOTOR CORPORATION

8050 WEST FLORISSANT AVE.
ST. LOUIS, MO 63136



DATE: 11/14/2011

P.O. NO.: P000240854
Order/Line NO.: 11712079 SO 100

ATTN: DOCTECH2

Model Number: NA
Catalog Number:
Submittals
CONF,LLC,SUBMITTALS

REVISIONS:
(NONE)

**ALL DOCUMENTS HEREIN ARE CONSIDERED CERTIFIED BY NIDEC MOTOR CORPORATION.
THANK YOU FOR YOUR ORDER AND THE OPPORTUNITY TO SERVE YOU.**

Features:

Horsepower 00025.00~00000.00 ~ KW: 18.65
Enclosure WPI
Poles 06~00 ~ RPM: 1200~0
Frame Size 324~TP
Phase/Frequency/Voltage.. 3~060~440 ~ Random Wound
Service Factor 1.15
Insulation Class Class "F" ~ Insulife 1000
Altitude In Feet (Max) .. 3300 Ft.(1000 M) ~ +40 C
Efficiency Class Energy Efficient
Application Centrifugal Pump
Customer Part Number 7089703
16.5" Base ~ Coupling Size: 1-1/4" Bore, 3/8" Key
Self-Release Coupling ~ Steady Bushing
Pricebook Thrust Value (lbs).. 6700
Customer Down Thrust (lbs) ... 6700
Customer Shutoff Thrust (lbs).
Up Thrust (lbs): ~
Temperature Rise (Sine Wave): "F" Rise @ SF (Resist)
Starting Method Direct-On-Line Start
Duty Cycle Continuous Duty
Load Inertia (lb-ft²): NEMA ~ NEMA Inertia: 324.00 ~ 1.00
Number Of Starts Per Hour: NEMA
Motor Type Code RUE
Rotor Inertia (LB-FT²) 12.8 LB-FT²
Qty. of Bearings PE (Shaft) 1
Qty. of Bearings SE (OPP) 1
Bearing Number PE (Shaft) 6211-J
Bearing Number SE (OPP) 7220 BEP

Nidec trademarks followed by the ® symbol are registered with the U.S. Patent and Trademark Office.

EFFECTIVE:
20-JUL-11

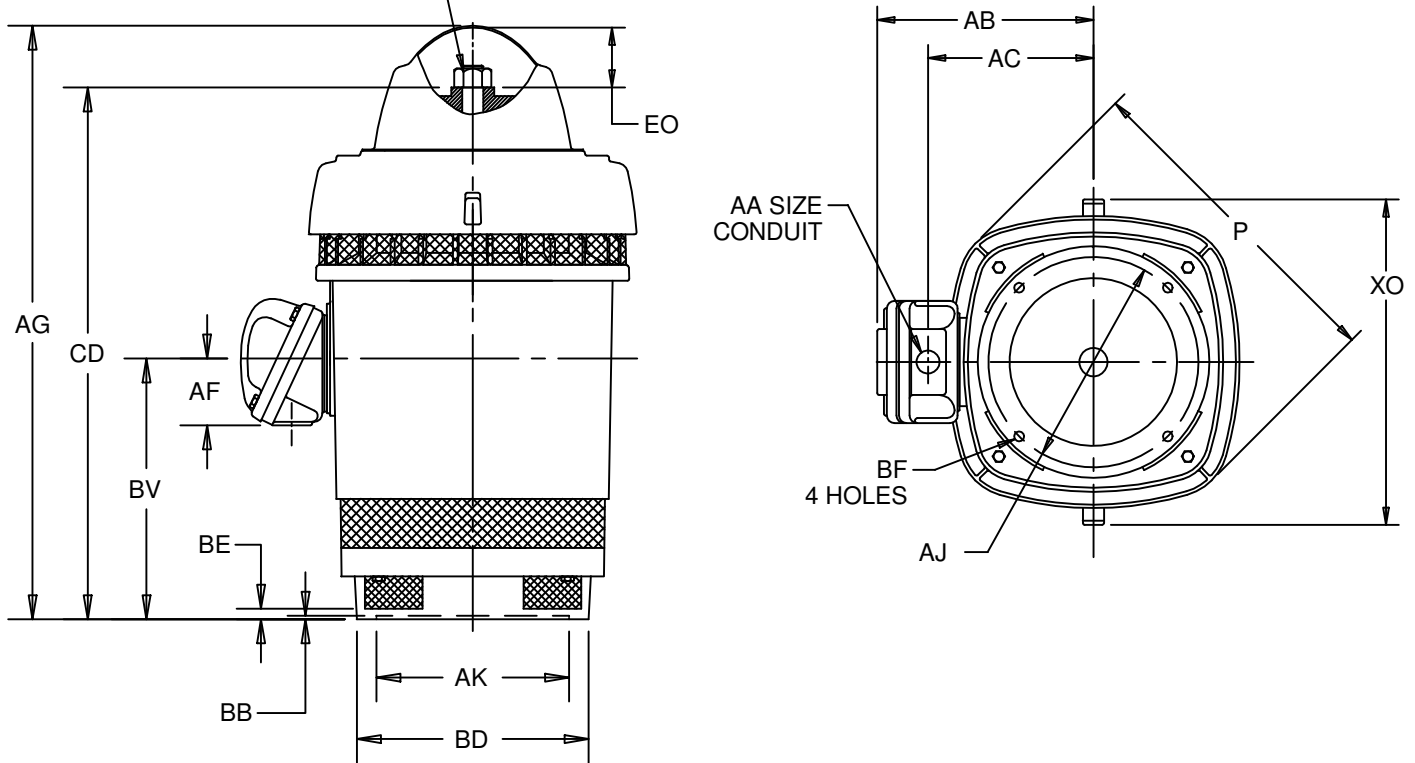
VERTICAL MOTORS
WEATHER PROTECTED TYPE 1
FRAME: 324, 326TP, TPH
BASIC TYPE: RU

PRINT:
09-2291

SUPERSEDES:
22-FEB-11

SHEET:
1 OF 1

PUMP SHAFT, ADJUSTING NUT AND LOCKING SCREWS ARE NOT FURNISHED WITH MOTOR



ALL DIMENSIONS ARE IN INCHES AND MILLIMETERS

UNITS	P ²	AG	BE	BV	CD	EO	XO
IN	19.06	33.06	.69	11.06	28.22	4.69	21.69
MM	484	840	18	281	717	119	551

FRAME	UNITS	AJ	AK	BB MIN	BD MAX	BF
324, 326TP	IN	14.750	13.500	.25	16.50	.69
	MM	374.65	342.90	6	419	18
324,326TPH	IN	9.125	8.250	.19	12.00	.44
	MM	231.78	209.55	5	305	11

CONDUIT BOX MATERIAL	UNITS	AA	AB	AC	AF
STEEL	IN	3.00	15.84	11.56	3.38
	MM		402	294	86
CAST IRON	IN	3 NPT	16.63	12.25	4.63
	MM		422	311	118

- 1: ALL ROUGH DIMENSIONS MAY VARY BY .25" DUE TO CASTING AND/OR FABRICATION VARIATIONS.
- 2: LARGEST MOTOR WIDTH.
- 3: CONDUIT OPENINGS MAY BE LOCATED IN STEPS OF 90 DEGREES REGARDLESS OF LOCATION. STANDARD AS SHOWN WITH CONDUIT OPENING DOWN.
- 4: TOLERANCES SHOWN ARE IN INCHES ONLY.

TOLERANCES	8.250 AK	13.500 AK
FACE RUNOUT	.004 T.I.R.	.007 T.I.R.
PERMISSIBLE ECCENTRICITY OF MOUNTING RABBET	.004 T.I.R.	.007 T.I.R.
TOLERANCE ON AK DIMENSION	+.003	+.005

09-2291/C

Nidec Motor Corporation
St. Louis, Missouri

INFORMATION DISCLOSED ON THIS DOCUMENT IS CONSIDERED PROPRIETARY AND SHALL NOT BE REPRODUCED OR DISCLOSED WITHOUT WRITTEN CONSENT OF NIDEC MOTOR CORPORATION



ISSUED BY
E. WENDT
APPROVED BY
K. POTTER

IHP_DP_NMCA (MAR-2011) SOLIDEDGE