

NIDEC MOTOR CORPORATION

8050 WEST FLORISSANT AVE.
ST. LOUIS, MO 63136



DATE: 11/14/2011

P.O. NO.: P000240854
Order/Line NO.: 11712131 SO 100

Model Number: NA
Catalog Number:
Submittals
CONF,LLC,SUBMITTALS

REVISIONS:
(NONE)

**ALL DOCUMENTS HEREIN ARE CONSIDERED CERTIFIED BY NIDEC MOTOR CORPORATION.
THANK YOU FOR YOUR ORDER AND THE OPPORTUNITY TO SERVE YOU.**

Features:

Horsepower 00015.00~00000.00 ~ KW: 11.19
Enclosure WPI
Poles 04~00 ~ RPM: 1800~0
Frame Size 254~TPA
Phase/Frequency/Voltage.. 3~060~440 ~ Random Wound
Service Factor 1.15
Insulation Class Class "F" ~ Insulife 1000
Altitude In Feet (Max) .. 3300 Ft.(1000 M) ~ +40 C
Efficiency Class Energy Efficient
Application Centrifugal Pump
Customer Part Number 7089701
16.5" Base ~ Coupling Size: 1" Bore, 1/4" Key
Self-Release Coupling ~ Steady Bushing
Pricebook Thrust Value (lbs).. 3300
Customer Down Thrust (lbs) ... 3300
Customer Shutoff Thrust (lbs).
Up Thrust (lbs): ~
Temperature Rise (Sine Wave): "F" Rise @ SF (Resist)
Starting Method Direct-On-Line Start
Duty Cycle Continuous Duty
Load Inertia (lb-ft²): NEMA ~ NEMA Inertia: 75.30 ~ 1.00
Number Of Starts Per Hour: NEMA
Motor Type Code AUE
Rotor Inertia (LB-FT²) 1.81 LB-FT²
Qty. of Bearings PE (Shaft) 1
Qty. of Bearings SE (OPP) 1
Bearing Number PE (Shaft) 7310 BEP
Bearing Number SE (OPP) 6210-2Z-J/C3

Nidec trademarks followed by the ®symbol are registered with the U.S. Patent and Trademark Office.

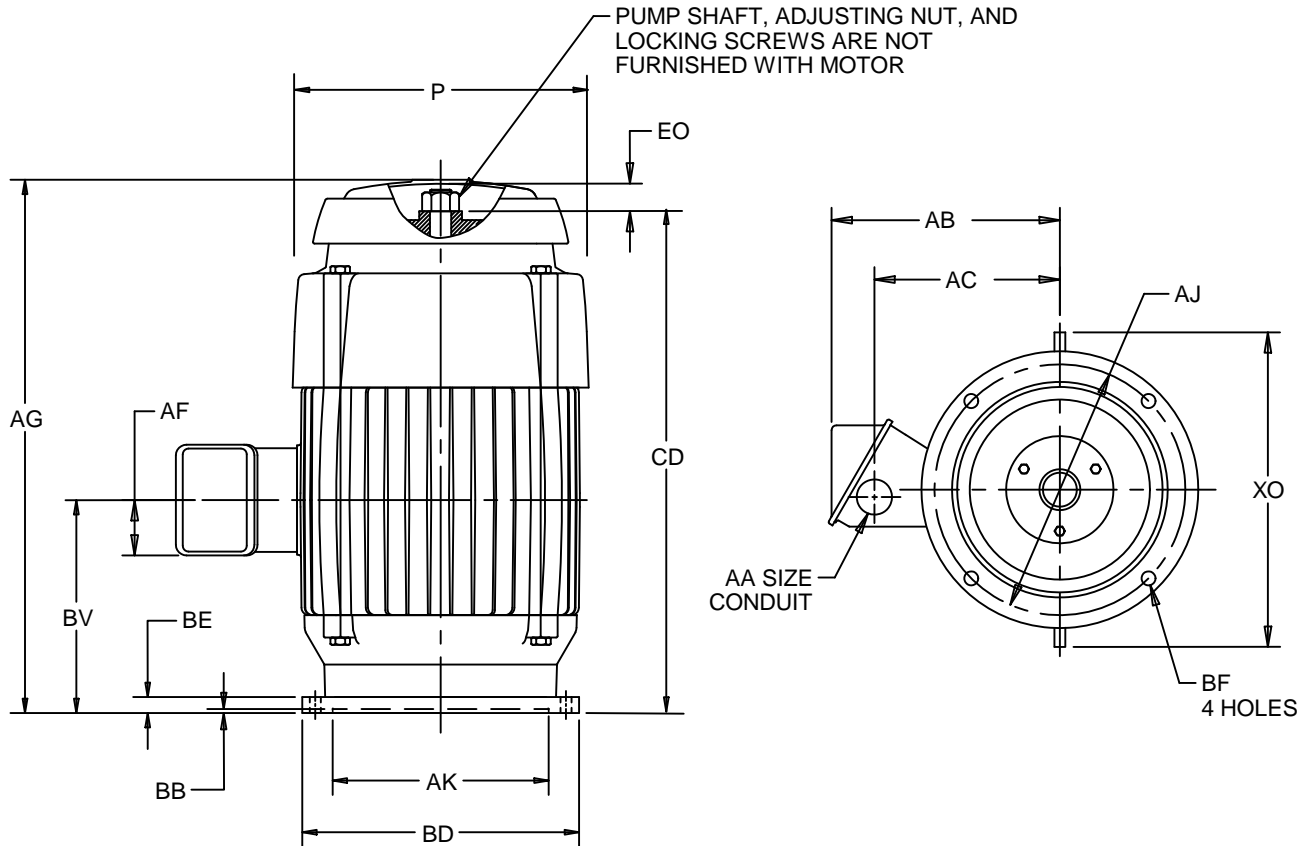
EFFECTIVE:
25-APR-11

SUPERSEDES:
22-FEB-11

VERTICAL MOTORS
WEATHER PROTECTED TYPE I
FRAME: 254, 256TP, TPA, TPH
BASIC TYPE: AU

PRINT:
09-2289

SHEET:
1 OF 1



ALL DIMENSIONS ARE IN INCHES AND MILLIMETERS

UNITS	P ²	AA	AB	AC	AF	AG ⁵	BE	BV	CD ⁵	EO	XO
IN	14.00	1.25	10.25	7.88	2.03	26.75	.94	11.50	23.38	3.25	16.88
MM	356		260	200	52	679	24	292	594	83	429

FRAME	UNITS	AJ	AK	BB MIN	BD MAX	BF
254,256TP	IN	9.125	8.250	.25	10.00	.44
	MM	231.78	209.55	6	254	11
254,256TPA	IN	14.750	13.500	.25	16.50	.69
	MM	374.65	342.90	6	419	18
254,256TPH	IN	9.125	8.250	.25	12.00	.44
	MM	231.78	209.55	6	305	11

TOLERANCES	8.250 AK	13.500 AK
FACE RUNOUT	.004 T.I.R.	.007 T.I.R.
PERMISSIBLE ECCENTRICITY OF MOUNTING RABBET	.004 T.I.R.	.007 T.I.R.
TOLERANCE ON AK-DIMENSION	+.003	+.005

- 1: ALL ROUGH DIMENSIONS MAY VARY BY .25" DUE TO CASTING AND/OR FABRICATION VARIATIONS.
- 2: LARGEST MOTOR WIDTH.
- 3: TOLERANCES SHOWN ARE IN INCHES ONLY.

- 4: CONDUIT OPENINGS MAY BE LOCATED IN STEPS OF 180 DEGREES REGARDLESS OF LOCATION. STANDARD AS SHOWN.
- 5: DIMENSIONS SHOWN ARE FOR ALL RATINGS EXCEPT 20 HP, 4 POLE, TYPE AUE AND AUI. FOR THIS RATING THE DIMENSIONS ARE: AG=28.13 (715 MM) CD=24.75 (629 MM)

09-2289/E

Nidec Motor Corporation
St. Louis, Missouri

INFORMATION DISCLOSED ON THIS DOCUMENT IS CONSIDERED PROPRIETARY AND SHALL NOT BE REPRODUCED OR DISCLOSED WITHOUT WRITTEN CONSENT OF NIDEC MOTOR CORPORATION



ISSUED BY
R. KING
APPROVED BY
B. GRAY

IHP_DP_NMCA (MAR-2011) SOLIDEDGE