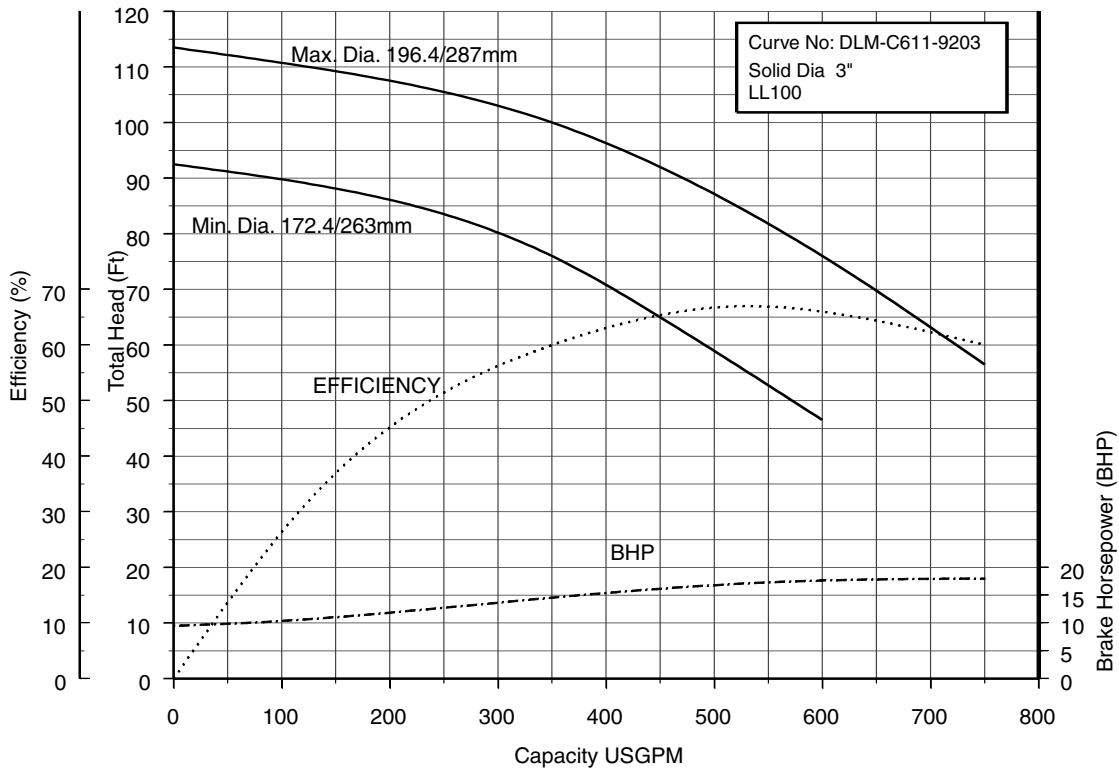


**Performance Curves**

Project: \_\_\_\_\_ GPM: \_\_\_\_\_ TDH: \_\_\_\_\_ EFF: \_\_\_\_\_ HP: \_\_\_\_\_ Chk'd: \_\_\_\_\_ Date: \_\_\_\_\_

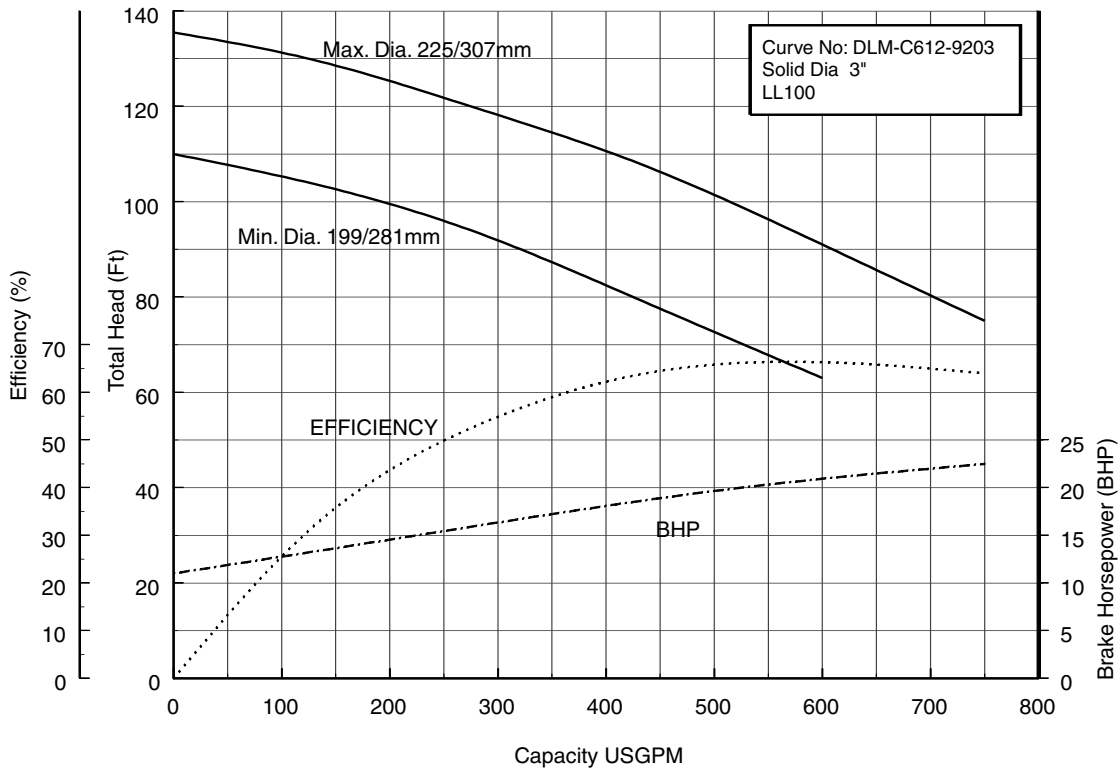
**100DLMF615 (20HP) Synchronous Speed: 1800 RPM**

**3, 4 inch Discharge**



**100DLMF618 (25HP) Synchronous Speed: 1800 RPM**

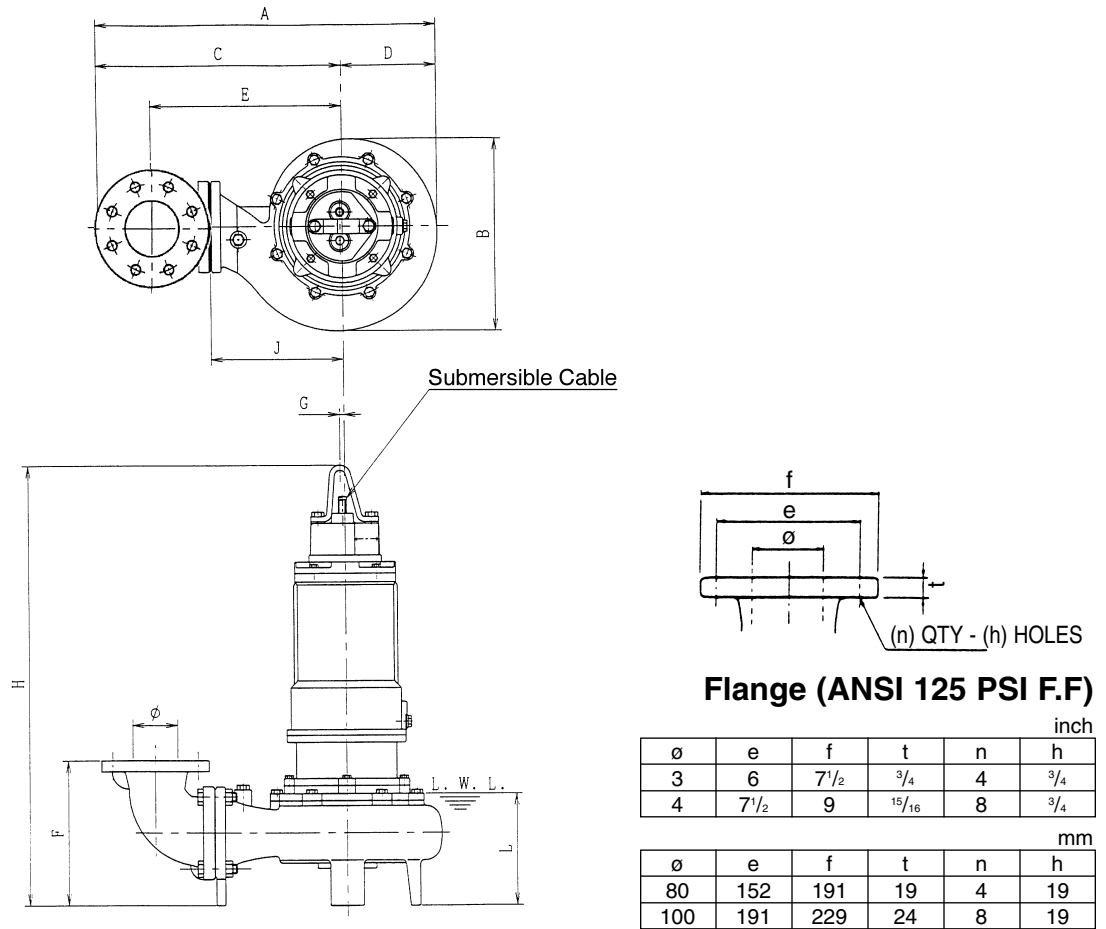
**3, 4 inch Discharge**



**Dimensions**

Project: \_\_\_\_\_ Model: \_\_\_\_\_ Chk'd: \_\_\_\_\_ Date: \_\_\_\_\_

**Model DLMFU  
100DLMFU, 3 to 30HP**



**Dimensions: inch**

PHASE	SIZE ø	MODEL	OUTPUT		PUMP & MOTOR										WEIGHT Lb
			kW	HP	A	B	C	D	E	F	G	H	J	L	
THREE	3/4	100DLMFU62.2	2.2	3	24 <sup>9</sup> / <sub>16</sub>	13 <sup>3</sup> / <sub>16</sub>	17 <sup>15</sup> / <sub>16</sub>	6 <sup>5</sup> / <sub>8</sub>	13 <sup>3</sup> / <sub>8</sub>	9 <sup>13</sup> / <sub>16</sub>	<sup>5</sup> / <sub>16</sub>	30 <sup>1</sup> / <sub>4</sub>	9 <sup>1</sup> / <sub>4</sub>	8 <sup>1</sup> / <sub>16</sub>	209
		100DLMFU63.7	3.7	5	24 <sup>9</sup> / <sub>16</sub>	13 <sup>3</sup> / <sub>16</sub>	17 <sup>15</sup> / <sub>16</sub>	6 <sup>5</sup> / <sub>8</sub>	13 <sup>3</sup> / <sub>8</sub>	9 <sup>13</sup> / <sub>16</sub>	<sup>5</sup> / <sub>16</sub>	31 <sup>13</sup> / <sub>16</sub>	9 <sup>1</sup> / <sub>4</sub>	8 <sup>1</sup> / <sub>16</sub>	209
		100DLMFU65.5	5.5	7 <sup>1</sup> / <sub>2</sub>	24 <sup>9</sup> / <sub>16</sub>	13 <sup>3</sup> / <sub>16</sub>	17 <sup>15</sup> / <sub>16</sub>	6 <sup>5</sup> / <sub>8</sub>	13 <sup>3</sup> / <sub>8</sub>	9 <sup>13</sup> / <sub>16</sub>	<sup>3</sup> / <sub>8</sub>	37 <sup>1</sup> / <sub>8</sub>	9 <sup>1</sup> / <sub>4</sub>	11	317
		100DLMFU67.5	7.5	10	25 <sup>13</sup> / <sub>16</sub>	14 <sup>1</sup> / <sub>2</sub>	18 <sup>1</sup> / <sub>2</sub>	7 <sup>5</sup> / <sub>16</sub>	14	12 <sup>11</sup> / <sub>16</sub>	<sup>3</sup> / <sub>8</sub>	36 <sup>1</sup> / <sub>16</sub>	9 <sup>13</sup> / <sub>16</sub>	10 <sup>1</sup> / <sub>4</sub>	344
		100DLMFU611	11	15	26 <sup>7</sup> / <sub>8</sub>	15 <sup>5</sup> / <sub>16</sub>	18 <sup>1</sup> / <sub>2</sub>	7 <sup>5</sup> / <sub>8</sub>	14 <sup>3</sup> / <sub>4</sub>	12 <sup>11</sup> / <sub>16</sub>	<sup>5</sup> / <sub>16</sub>	39 <sup>9</sup> / <sub>16</sub>	10 <sup>5</sup> / <sub>8</sub>	9 <sup>13</sup> / <sub>16</sub>	470
		100DLMFU615	15	20	26 <sup>7</sup> / <sub>8</sub>	15 <sup>5</sup> / <sub>16</sub>	18 <sup>1</sup> / <sub>2</sub>	7 <sup>5</sup> / <sub>8</sub>	14 <sup>3</sup> / <sub>4</sub>	12 <sup>11</sup> / <sub>16</sub>	<sup>5</sup> / <sub>16</sub>	42 <sup>5</sup> / <sub>16</sub>	10 <sup>5</sup> / <sub>8</sub>	10 <sup>13</sup> / <sub>16</sub>	564
		100DLMFU618	18.5	25	28	15 <sup>13</sup> / <sub>16</sub>	20 <sup>1</sup> / <sub>16</sub>	7 <sup>15</sup> / <sub>16</sub>	15 <sup>9</sup> / <sub>16</sub>	12 <sup>11</sup> / <sub>16</sub>	<sup>5</sup> / <sub>16</sub>	43 <sup>7</sup> / <sub>8</sub>	11 <sup>7</sup> / <sub>16</sub>	10 <sup>13</sup> / <sub>16</sub>	639
100DLMFU622	22	30	28	15 <sup>13</sup> / <sub>16</sub>	20 <sup>1</sup> / <sub>16</sub>	7 <sup>15</sup> / <sub>16</sub>	15 <sup>9</sup> / <sub>16</sub>	12 <sup>11</sup> / <sub>16</sub>	<sup>5</sup> / <sub>16</sub>	43 <sup>7</sup> / <sub>8</sub>	11 <sup>7</sup> / <sub>16</sub>	10 <sup>13</sup> / <sub>16</sub>	694		

**Dimensions: mm**

PHASE	SIZE ø	MODEL	OUTPUT		PUMP & MOTOR										WEIGHT kg
			kW	HP	A	B	C	D	E	F	G	H	J	L	
THREE	80/100	100DLMFU62.2	2.2	3	624	335	455	169	340	250	8	768	235	205	95
		100DLMFU63.7	3.7	5	624	335	455	169	340	250	8	808	235	205	95
		100DLMFU65.5	5.5	7 <sup>1</sup> / <sub>2</sub>	624	335	455	169	340	250	10	943	235	280	144
		100DLMFU67.5	7.5	10	655	369	470	186	355	323	10	916	250	260	156
		100DLMFU611	11	15	683	385	470	193	375	323	8	1005	270	250	213
		100DLMFU615	15	20	683	385	470	193	375	323	8	1075	270	275	256
		100DLMFU618	18.5	25	711	402	510	202	395	323	8	1115	290	275	290
100DLMFU622	22	30	711	402	510	202	395	323	8	1115	290	275	315		

**\*Note:** All dimensions are based on 4" discharge.

