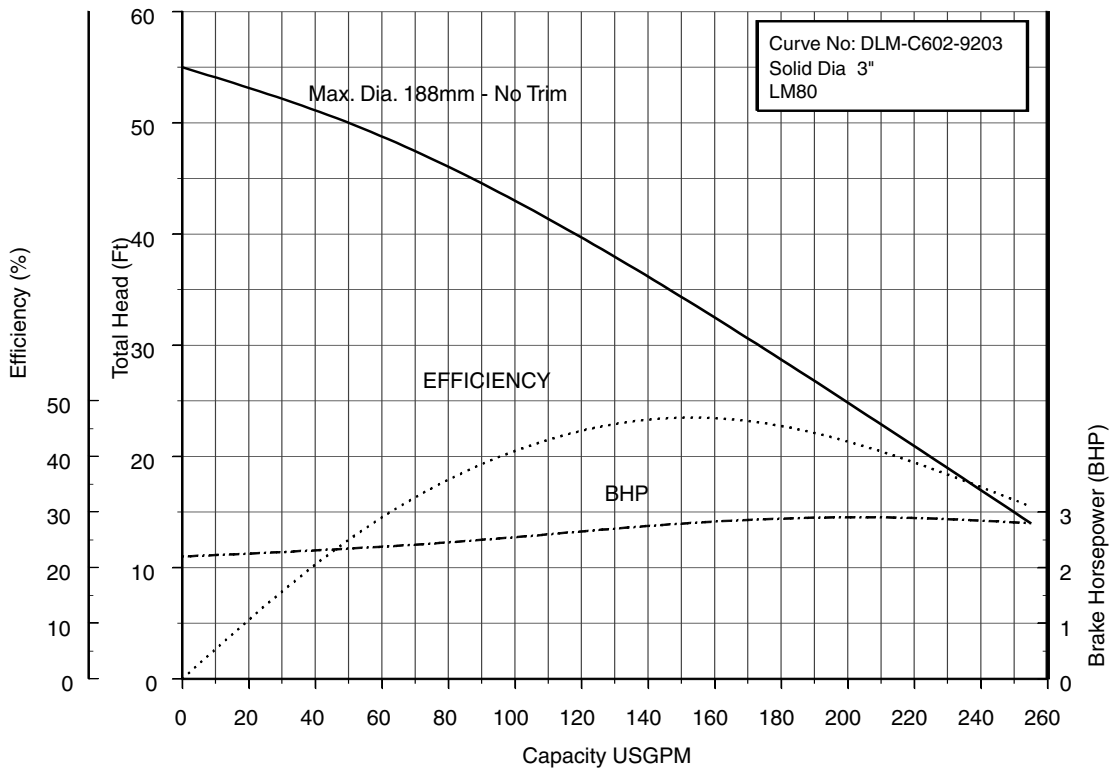


Performance Curves

Project: _____ GPM: _____ TDH: _____ EFF: _____ HP: _____ Chk'd: _____ Date: _____

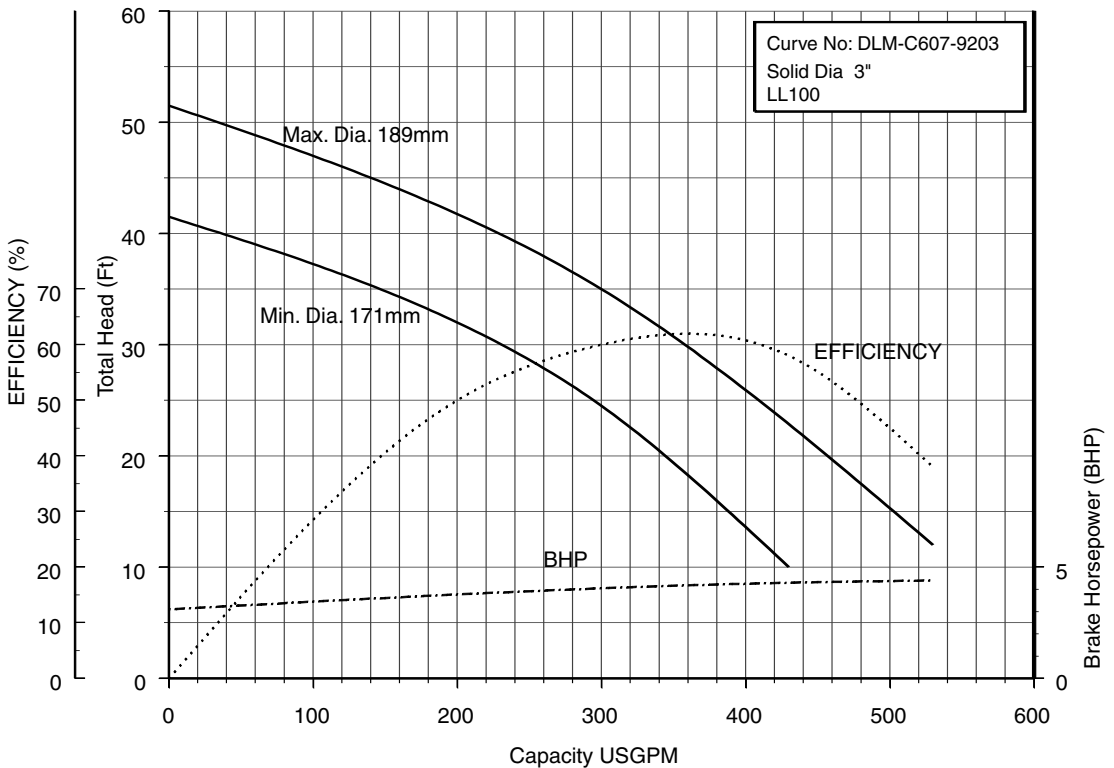
80DLMF62.2 (3HP) Synchronous Speed: 1800 RPM

3, 4 inch Discharge



80DLF63.7 (5HP) Synchronous Speed: 1800 RPM

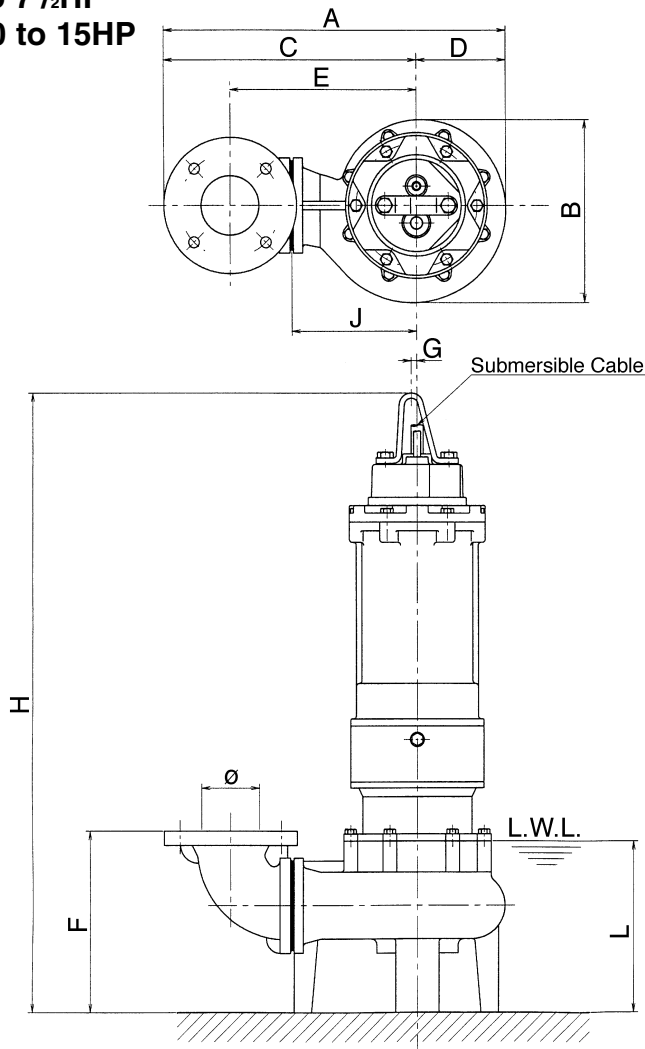
3, 4 inch Discharge



Dimensions

Project: _____ Model: _____ Chk'd: _____ Date: _____

Model DLMFU
80DLMFU, 2 to 7½HP
80DLCMFU, 10 to 15HP



Flange (ANSI 125 PSI F.F)

| inch | | | | | |
|------|----|----|-------|---|---|
| Ø | e | f | t | n | h |
| 3 | 6 | 7½ | ¾ | 4 | ¾ |
| 4 | 7½ | 9 | 15/16 | 8 | ¾ |

| mm | | | | | |
|-----|-----|-----|----|---|----|
| Ø | e | f | t | n | h |
| 80 | 152 | 191 | 19 | 4 | 19 |
| 100 | 191 | 229 | 24 | 8 | 19 |

Dimensions: inch

| PHASE | SIZE Ø | MODEL | OUTPUT | | PUMP & MOTOR | | | | | | | | | | WEIGHT Lb |
|-------|--------|--------------|--------|----|--------------|---------|---------|-------|--------|--------|------|--------|--------|-------|-----------|
| | | | KW | HP | A | B | C | D | E | F | G | H | J | L | |
| THREE | 3/4 | 80DLMFU61.5 | 1.5 | 2 | 20¾ | 11½ | 15 | 5¾ | 11¼ | 8¹¹/₁₆ | ⁵/₁₆ | 28½ | 8¼ | 7¹/₁₆ | 157 |
| | | 80DLMFU62.2 | 2.2 | 3 | 20¾ | 11½ | 15 | 5¾ | 11¼ | 8¹¹/₁₆ | ⁵/₁₆ | 29½ | 8¼ | 7½ | 187 |
| | | 80DLMFU63.7 | 3.7 | 5 | 21⁷/₁₆ | 12⁷/₈ | 15³/₈ | 6¹/₁₆ | 11⁵/₈ | 8¹¹/₁₆ | ⁵/₁₆ | 31¹/₁₆ | 8¹¹/₁₆ | 7½ | 205 |
| | | 80DLMFU65.5 | 5.5 | 7½ | 22⁷/₁₆ | 12¹⁵/₁₆ | 16 | 6⁷/₁₆ | 12²/₁₆ | 8¹¹/₁₆ | ³/₈ | 36³/₈ | 9¼ | 10¼ | 311 |
| | | 80DLCMFU67.5 | 7.5 | 10 | 26³/₈ | 14¹⁵/₁₆ | 18⁷/₈ | 7½ | 13³/₁₆ | 12¹/₁₆ | ³/₈ | 35⁵/₈ | 10¼ | 9¹/₁₆ | 375 |
| | | 80DLCMFU611 | 11 | 15 | 27⁹/₁₆ | 15¹¹/₁₆ | 19¹¹/₁₆ | 7⁷/₈ | 14 | 12 | ⁵/₁₆ | 39⁹/₁₆ | 11 | 9¹/₁₆ | 500 |

Dimensions: mm

| PHASE | SIZE Ø | MODEL | OUTPUT | | PUMP & MOTOR | | | | | | | | | | WEIGHT kg |
|-------|--------|--------------|--------|----|--------------|-----|-----|-----|-----|-----|----|-----|-----|-----|-----------|
| | | | KW | HP | A | B | C | D | E | F | G | H | J | L | |
| THREE | 80/100 | 80DLMFU61.5 | 1.5 | 2 | 527 | 292 | 381 | 146 | 285 | 220 | 8 | 724 | 210 | 180 | 71 |
| | | 80DLMFU62.2 | 2.2 | 3 | 527 | 292 | 381 | 146 | 285 | 220 | 8 | 750 | 210 | 190 | 85 |
| | | 80DLMFU63.7 | 3.7 | 5 | 545 | 308 | 391 | 154 | 295 | 220 | 8 | 789 | 220 | 190 | 93 |
| | | 80DLMFU65.5 | 5.5 | 7½ | 570 | 328 | 406 | 164 | 310 | 220 | 10 | 924 | 235 | 261 | 141 |
| | | 80DLCMFU67.5 | 7.5 | 10 | 670 | 379 | 480 | 190 | 335 | 307 | 10 | 905 | 260 | 240 | 170 |
| | | 80DLCMFU611 | 11 | 15 | 700 | 399 | 500 | 200 | 355 | 305 | 8 | 998 | 280 | 240 | 227 |

***Note:** All dimensions are based on 3" discharge.

