
Submersible Non-clog Water/Wastewater Pump

Model DLFU
Model DLFMU



Operating Instructions, Installation & Maintenance Manual



EBARA Fluid Handling

EBARA International Corporation


Instruction Manual

Contents


| Section | Page |
|--|-------------|
| Safety Information and Introduction..... | 2 |
| Specifications | 2 |
| Pump Checks..... | 3 |
| Installation | 3 |
| Operation | 9 |
| Maintenance and Service | 10 |
| Thermal Protector | 17 |
| Leakage Detector | 18 |
| Warranty | 19 |

Safety Information and Introduction

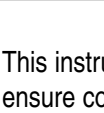
⚠ WARNING



Before handling this pump, always disconnect the power first. Do not use sparkable electrical devices or flames in a septic (gaseous) or possible septic sump.



Do not work under heavy suspended object unless there is a positive support under it to stop its fall in event of sling or hoist failure. Disregard of this warning could result in personal injury.



This pump should only be serviced by qualified or factory trained personnel.

⚠ CAUTION

This instruction manual includes necessary items for installation, operation and maintenance. Read this manual carefully to ensure correct installation, operation and maintenance.

Be sure to keep this instruction manual on hand for future reference.

Design of this EBARA pump is based on superior engineering and long experience. To prevent trouble and provide satisfactory operation and long life, it is important to understand the EBARA pump thoroughly by careful study of this manual. If any questions arise regarding this manual, please direct them to EBARA INTERNATIONAL CORPORATION.

Specifications

⚠ CAUTION

Be careful not to exceed the given specifications in the use of your products.

Check the nameplate for your pump's head (HEAD), discharge volume (CAPACITY), speed (SPEED), motor voltage and current. Other specifications are noted in the chart below.

| Item | | Specifications |
|----------------------------|-------------|---|
| Liquid handled | Type | Sewage, waste water, miscellaneous drain water |
| | Temperature | 32 - 104° F |
| Materials | Casing | Cast iron |
| | Impeller | Cast iron |
| | Shaft | Stainless Steel |
| Motor type | | Air filled submersible motor |
| Shaft seal lubrication oil | | Turbine No. 32 ISO VG - 32 |
| Maximum water depth | | 65 ft |
| Installation | | with Quick Discharge Connector or floor mounted |

Instruction Manual

Pump Checks

1. Check the following points upon receipt of your pump:

- (1) Check the name plate to confirm that it is the pump ordered.
- (2) Ensure that the pump voltage is the same as the power at your location.
- (3) Check oil level at oil plug.
- (4) Check that all plugs and fastening bolts are properly tightened.
- (5) Check that the pump has not been damaged and the cable glands and cables are in a satisfactory condition.
- (6) Check accessories and spare parts against the packing list.
- (7) Check that the impeller turns smoothly by hand.

2. Precautions when operation is suspended:

- (1) If operation is to be suspended for 30 days with the pump immersed in water, measure the insulation resistance of the motor.
If resistance is over 1 mega ohm, operate pump to prevent rust from developing on moving parts. Follow the instructions under OPERATION when pump operation is to be resumed.
- (2) For dry storage, clean out pump and store in a dry place.
Follow the instructions under INSTALLATION and OPERATION when pump operation is to be resumed.

Installation

1. Check the following before beginning installation:

WARNING



Before insulation resistance measurement, always disconnect the power first.

All electrical work should be performed by a qualified electrician and all national and local electrical codes must be observed.

CAUTION

When measuring the insulation resistance with meggar for motor windings do not test overload protection.

MINIATURE THERMAL PROTECTION (MTP) AND LEAKAGE DETECTOR (LD) ARE USED FOR MOTOR PROTECTION.
MTP AND LD CABLES MUST BE INSTALLED IN CONTROL CIRCUIT.

Insulation resistance measurement:

(1) For three phase motor:

With the motor and cable (excluding the power supply connections) immersed in water, use a meggar to measure the insulation resistance between, the ground wire and each phase of the motor.

CAUTION

Measure the insulation resistance. The value should be more than 1 mega ohm. While making the measurement, keep the power supply cable off the ground.

Instruction Manual

Installation

2. Pump Installation

WARNING

When lifting the pump, use appropriate crane (or hoist) and lift system, check position and tightness of lift system so that weight of the pump is not UNBALANCED.

Failure to observe this precaution can result in serious accidents.

Handle the cables very carefully. If they are bent or pulled excessively, the cable and the cable entry may be damaged, resulting in insulation failure. Also, care is needed to protect cable ends against water intrusion.

CAUTION

Before installation check rotation. Correct rotation is clockwise when viewed from top of motor. Read ELECTRICAL WIRING.

1. Clean the installation area.
2. Under no circumstances should the cable be pulled while the pump is being transported or installed. Attach a chain or rope to the grip and install the pump.
3. This pump must not be installed on its side. Ensure that it is installed upright on a secure base.
4. Install the pump at a location in the tank where there is the least turbulence.
5. If there is a flow of liquid inside the tank, support the cable where appropriate (See Fig. 1).
6. Install piping so that air will not be entrapped. If piping must be installed in such a way that air pockets are unavoidable, install an air release valve wherever such air pockets are most likely to develop.
7. Do not permit end of discharge piping to be submerged, as backflow will result when the pump is shut down.
8. Non-automatic pumps (model DLFU, DLFMU) do not have an automatic operating system based on built-in floats. Do not operate the pump for a long time with the water level near the minimum operating level as the automatic cut-off switch incorporated inside the motor will be activated.

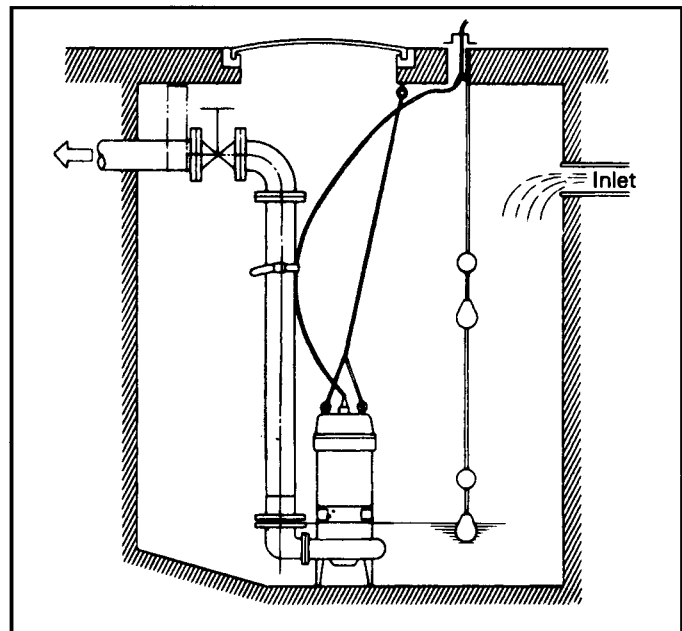


Fig. 1

To avoid dry operation, install an automatic operating system, as shown in Fig. 2 and maintain a safe operating water level.

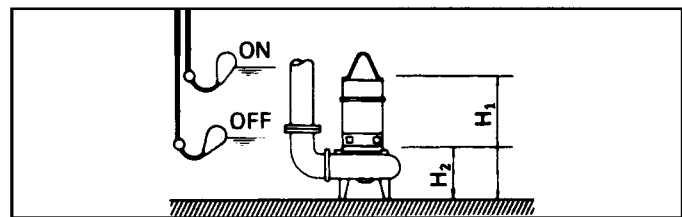


Fig. 2

H₁: Operating water level
 This must be above the top of the motor.
 H₂: Lowest water level (motor flange)

Instruction Manual

Installation

3. Electrical Wiring:



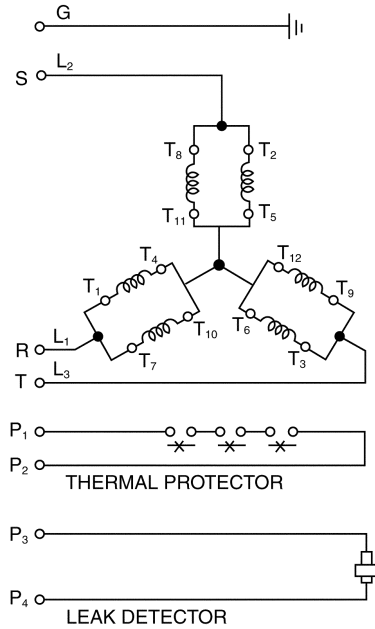
WARNING

Check that the power is locked off and disconnected before working on pump. All electrical work should be performed by a qualified electrician and all national and local electrical codes must be observed.

(1) Wiring

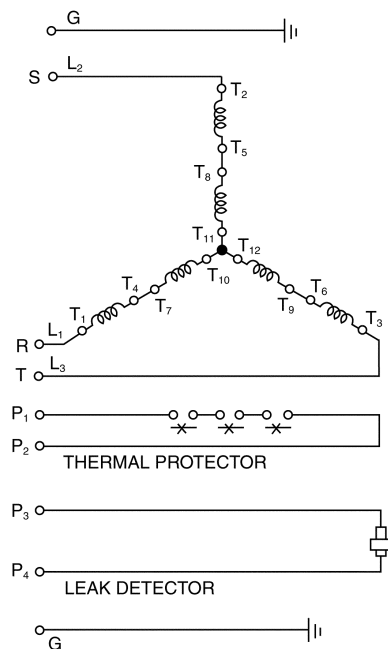
- a) Wire as indicated for the appropriate start system as shown in Fig. 3.
- b) Loose connections will stop the pump. Make sure all electrical connections are secure.

Output 2 to 5HP
208/230V



- G – GRN
- L₁ – RED – T₁ – T₇
- L₂ – WHT – T₂ – T₈
- L₃ – BLK – T₃ – T₉
- T₄ – T₅ – T₆ – T₁₀ – T₁₁ – T₁₂
- P₁ – RED
- P₂ – WHT
- P₃ – BLK
- P₄ – OR
- G – GRN

460V

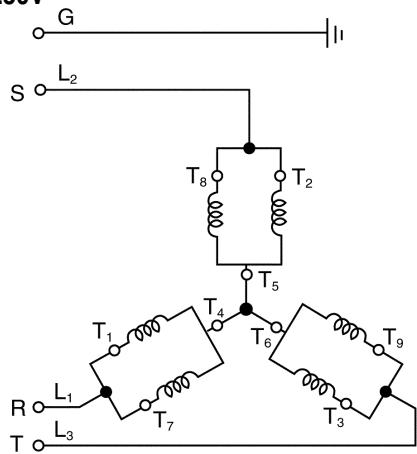


- G – GRN
- L₁ – RED – T₁
- L₂ – WHT – T₂
- L₃ – BLK – T₃
- T₄ – T₇
- T₅ – T₈
- T₆ – T₉
- T₁₀ – T₁₁ – T₁₂
- P₁ – RED
- P₂ – WHT
- P₃ – BLK
- P₄ – ORG
- G – GRN

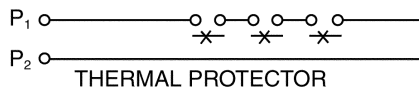
Instruction Manual

Installation – Electrical Wiring

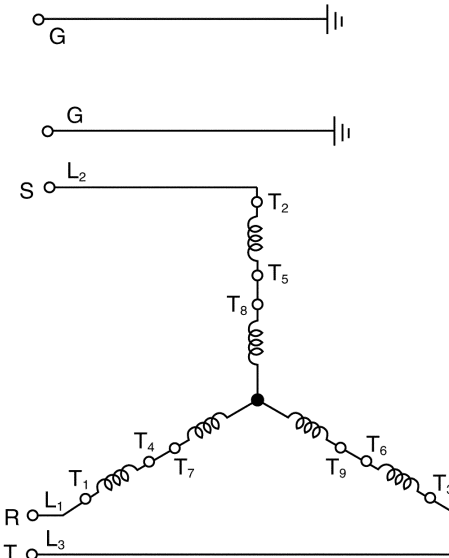
Output 7.5 to 10HP
208/230V



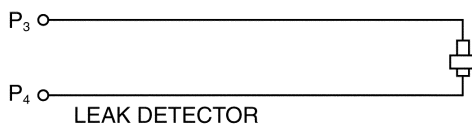
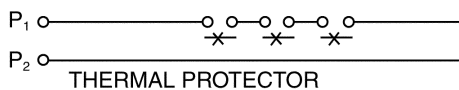
- G – GRN
- L₁ – RED – T₁ – T₇
- L₂ – WHT – T₂ – T₈
- L₃ – BLK – T₃ – T₉
- T₄ – T₅ – T₆
- P₁ – RED
- P₂ – WHT
- P₃ – BLK
- P₄ – ORG
- G – GRN



460V



- G – GRN
- L₁ – RED – T₁
- L₂ – WHT – T₂
- L₃ – BLK – T₃
- T₄ – T₇
- T₅ – T₈
- T₆ – T₉
- P₁ – RED
- P₂ – WHT
- P₃ – BLK
- P₄ – ORG
- G – GRN

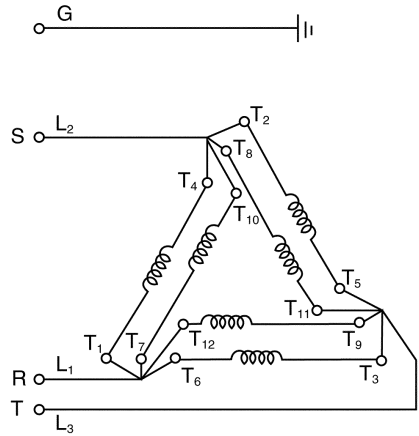


Instruction Manual

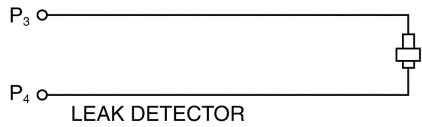
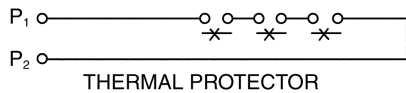
Installation – Electrical Wiring

Output 15 to 30HP

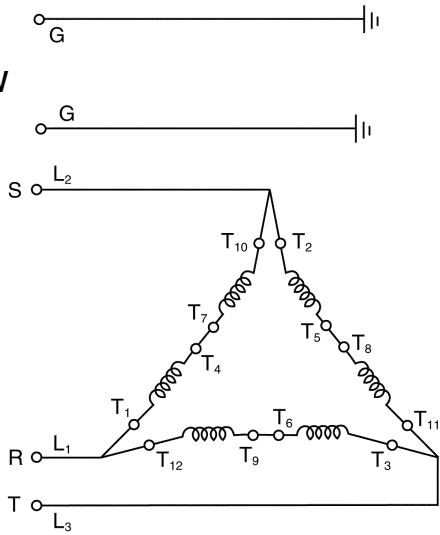
208/230V



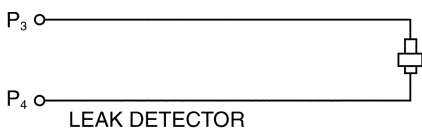
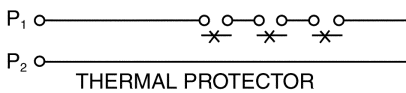
- G – GRN
- L₁ – RED – T₁ – T₇ – T₆ – T₁₂
- L₂ – WHT – T₄ – T₈ – T₂ – T₁₀
- L₃ – BLK – T₃ – T₉ – T₅ – T₁₁
- P₁ – RED
- P₂ – WHT
- P₃ – BLK
- P₄ – ORG
- G – GRN



460V



- G – GRN
- L₁ – RED – T₁ – T₁₂
- L₂ – WHT – T₂ – T₁₀
- L₃ – BLK – T₃ – T₁₁
- T₄ – T₇
- T₅ – T₈
- T₆ – T₉
- P₁ – RED
- P₂ – WHT
- P₃ – BLK
- P₄ – ORG
- G – GRN

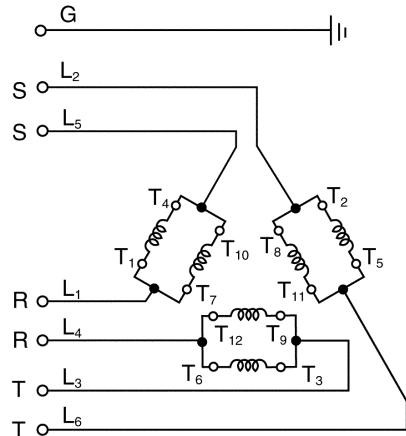


Instruction Manual

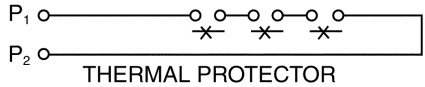
Installation – Electrical Wiring

Output 40 to 60HP

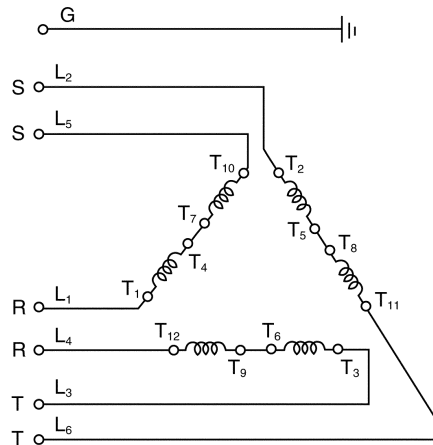
208/230V



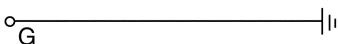
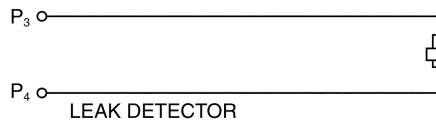
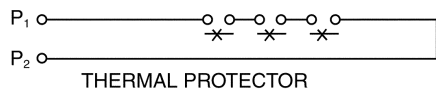
- G – GRN
- L₁ – RED – T₁ – T₇
- L₂ – WHT – T₂ – T₈
- L₃ – BLK – T₃ – T₉
- L₅ – WHT – T₄ – T₁₀
- L₆ – BLK – T₅ – T₁₁
- L₄ – RED – T₆ – T₁₂
- P₁ – RED
- P₂ – WHT
- P₃ – BLK
- P₄ – ORG
- G – GRN



460V



- G – GRN
- L₁ – RED – T₁
- L₂ – WHT – T₂
- L₃ – BLK – T₃
- L₅ – WHT – T₁₀
- L₆ – BLK – T₁₁
- L₄ – RED – T₁₂
- T₄ – T₇
- T₅ – T₈
- T₆ – T₉
- P₁ – RED
- P₂ – WHT
- P₃ – BLK
- P₄ – OR
- G – GRN



Instruction Manual

Installation

(2) Cable

- a) Never let the end of the cable contact water
- b) If the cable is extended, do not immerse the splice in water.
- c) Fasten the cable to the discharge piping with tape or vinyl strips.
- d) Install the cable so that it will not overheat.
Overheating is caused by coiling the cable and exposing it to direct sunlight.

(3) Grounding

As shown in Fig. 4 ground the green wire (label E). Under no circumstances should the green wire be connected to the power supply.

- (4) Use short circuit breakers to prevent danger of electrical shock.

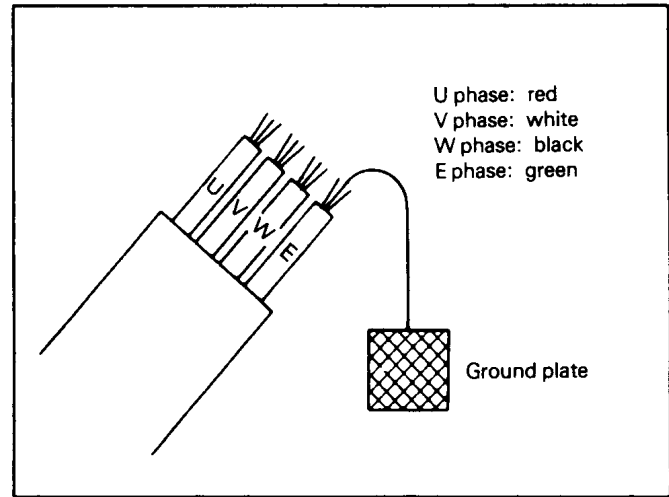


Fig. 4

Operation

1. Before starting the pump:

- (1) After completing installation, measure the insulation resistance again as described in INSTALLATION.
- (2) Check water level.

If the pump is operated continuously for an extended period of time in a dry condition or at the lowest water level, the thermal protector will be activated.

Constant repetition of this action will shorten pump service life. Do not start the pump again in such a situation until after the motor has completely cooled.

2. Test Operation:

⚠ CAUTION

Check rotation. Correct rotation is clockwise when viewed from top of motor. Pump should be started with gate valve closed, and then the operator should open the valve gradually.

(1) Model DLFU, DLMFU

- a) Turn the operating switch on and off a couple of times to check for normal pump start.
- b) Check the direction of rotation. If discharge volume is low or unusual sounds are heard when the pump is operating, rotation has been reversed. When this happens, reverse two of the three wires.
- c) Check amperage, voltage, and head pressure.

Maintenance and Service



⚠ WARNING

Disconnect power cable from power source before servicing unit.
Normal maintenance should be done by qualified personnel.

Check pressure, output, voltage, current, vibration, and other specifications. Unusual readings may indicate a problem requiring immediate service. Contact your local EBARA INTERNATIONAL CORPORATION representative as soon as possible.

Instruction Manual

Maintenance and Service

1. Daily inspections:

(1) Check current and ammeter fluctuation daily. If ammeter fluctuation is great, even though within the limits of pump rating, foreign matter may be clogging the pump. If the quantity of liquid discharged falls suddenly, foreign matter may be blocking the suction inlet.

2. Regular inspections:

(1) Monthly inspections

Measure the insulation resistance. The value should be more than 1 mega ohm. If resistance starts to fall rapidly even with an initial indication of over 1 mega ohm, this may be an indication of trouble and repair work is required.

(2) Every 6 months

Check the mechanical seal every six months. If you notice water mixed with the oil or cloudy texture of the oil, these may be indications of a defective mechanical seal requiring replacement. The service life of the mechanical seal can be prolonged by replacing the oil in the mechanical seal chamber once a year. When replacing the oil, lay the pump on its side, with filler plug on top as shown in Fig. 5.

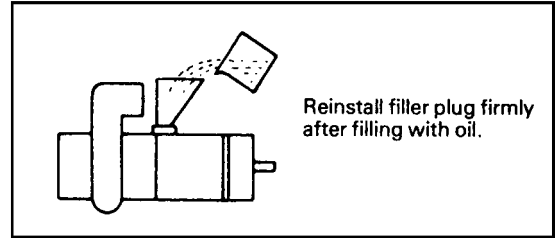


Fig. 5

Oil Capacities for DLF/DLFMU pumps

| HP | Oil | HP | Oil |
|----|--------|----|---------|
| 2 | 31 ozs | 20 | 120 ozs |
| 3 | 42 ozs | 25 | 115 ozs |
| 5 | 47 ozs | 30 | 120 ozs |
| 7½ | 75 ozs | 40 | 220 ozs |
| 10 | 75 ozs | 50 | 240 ozs |
| 15 | 75 ozs | 60 | 240 ozs |

Table 1

(3) Preventive maintenance yearly

Conduct an overhaul of the pump annually. These intervals will reduce the possibility of future trouble.

3. Parts that will need to be replaced:

Replace the appropriate part when the following conditions are apparent.

| Replaceable Part | Mechanical Seal | Oil Filter plug gasket | Lubricating oil | O-ring |
|-------------------|--|---------------------------------------|---------------------------|-----------------------------|
| Replacement guide | Whenever oil in mechanical seal chamber is clouded | Whenever oil is replaced or inspected | Whenever clouded or dirty | Whenever pump is overhauled |
| Frequency | Annually | Annually | Annually | Annually |

Above replacement schedule is based on normal operating conditions.

Instruction Manual

Troubleshooting

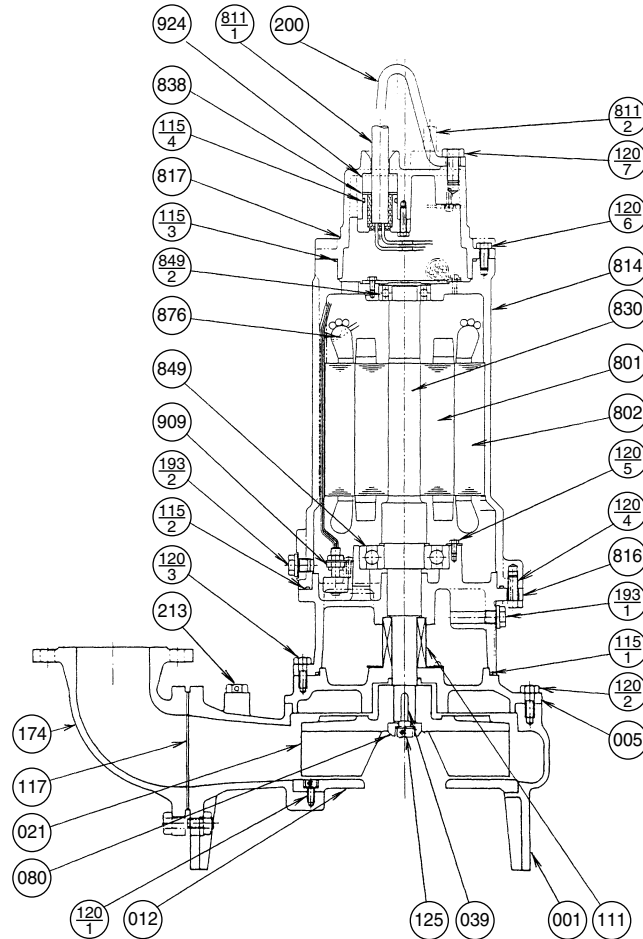


All service should be done by factory trained or qualified personnel only.

| Trouble | Cause | Remedy |
|---|---|---|
| Does not start. Starts, but immediately stops. | (1) Power failure (2) Large discrepancy between power source and voltage (3) Significant drop in voltage (4) Motor phase malfunction (5) Electric circuit connection faulty (6) Faulty connection of control circuit (7) Blown fuse (8) Faulty magnetic switch (9) Water is not at level indicated by float (10) Float is not in appropriate level (11) Float defective (12) Short circuit breaker is functioning (13) Foreign matter clogging pump (14) Motor burned out (15) Motor bearing broken | (1)-(3) Contact electric power company; devise counter-measures (4) Inspect connections and magnetic switch (5) Inspect electric circuit (6) Correct wiring (7) Replace with correct type of fuse (8) Replace with correct type of magnetic switch (9) Raise water level (10) Move float to an appropriate starting level (11) Repair or replace (12) Repair location of short circuit (13) Remove foreign matter (14) Repair or replace (15) Repair or replace |
| Operates, but stops after a while. | (1) Prolonged dry operation has activated motor protector and caused pump to stop (2) High liquid temperature has activated motor protector and caused pump to stop | (1) Raise stop water level (2) Lower liquid temperature |
| Does not pump. Inadequate volume. | (1) Reverse rotation (2) Significant drop in voltage (3) Operating a 60Hz pump on 50Hz (4) Discharge head is high (5) Large piping loss (6) Low operating water level causes air suction (7) Leaking from discharge piping (8) Clogging of discharge piping (9) Foreign Matter in suction inlet (10) Foreign matter clogging pump (11) Worn impeller | (1) Correct rotation (see Operation 2, (3)) (2) Contact electric power company and devise counter-measures (3) Check nameplate (4) Recalculate and adjust (5) Recalculate and adjust (6) Raise water level or lower pump (7) Inspect, repair (8) Remove foreign matter (9) Remove foreign matter (10) Disassemble and remove foreign matter (11) Replace impeller |
| Over current | (1) Unbalanced current and voltage (2) Significant voltage drop (3) Motor phase malfunction (4) Operating 50HZ pump on 60Hz (5) Reverse rotation (6) Low head; excessive volume of water (7) Foreign matter clogging pump (8) Motor bearing is worn or damaged | (1) Contact electric power company and devise counter-measure (2) Contact electric power company and devise counter-measure (3) Inspect connections and magnetic switch (4) Check nameplate (5) Correct rotation (see Operation 2. (3)) (6) Replace pump with low head pump (7) Disassemble and remove foreign matter (8) Replace bearing |
| Pump vibrates; excessive operating noise. | (1) Reverse rotation (2) Pump clogged with foreign matter (3) Piping resonates (4) Gate valve is closed too far | (1) Correct rotation (2) Disassemble and remove foreign matter (3) Improve piping (4) Open gate valve |

Instruction Manual

2 to 5HP



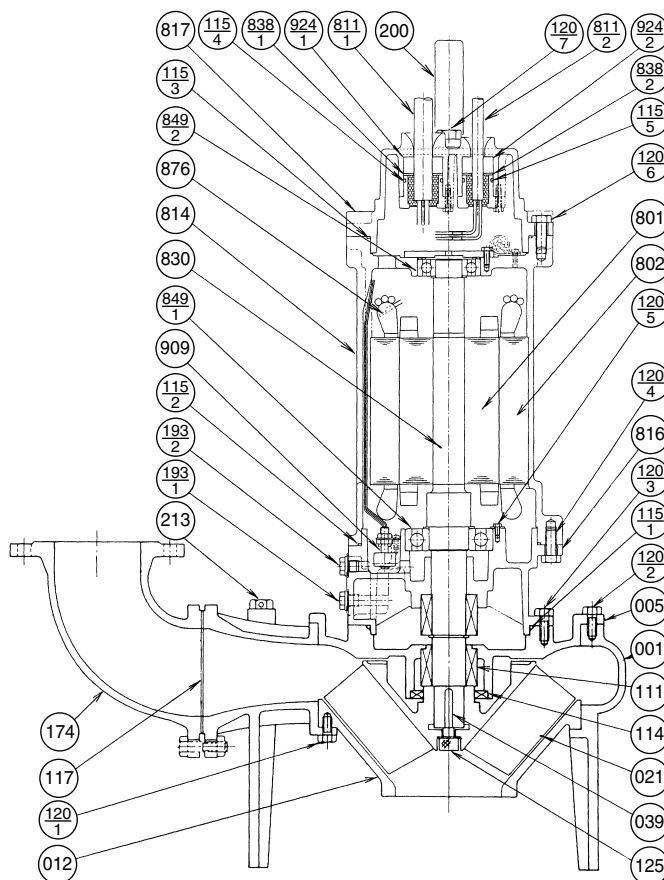
| PART NO. | PART NAME | MATERIAL | ASTM, AISI CODE | NO. FOR 1 UNIT |
|----------|---------------------|---------------|-----------------|----------------|
| 001 | CASING | CAST IRON | A48 Class 30 | 1 |
| 005 | INTERMEDIATE CASING | CAST IRON | A48 Class 30 | 1 |
| †012 | SUCTION COVER | CAST IRON | A48 Class 30 | 1 |
| †021 | IMPELLER | CAST IRON | A48 Class 30 | 1 |
| 039 | KEY | 420 STAINLESS | AISI420 | 1 |
| 080 | BUSHING | STEEL | A283 Grade D | 1 |
| †111 | MECHANICAL SEAL | — | | 1 SET |
| †115-1 | O-RING | RUBBER (NBR) | | 1 |
| †115-2 | O-RING | RUBBER (NBR) | | 1 |
| †115-3 | O-RING | RUBBER (NBR) | | 1 |
| †115-4 | O-RING | RUBBER (NBR) | | 2 |
| †117 | GASKET | | | 1 |
| 120-1 | BOLT | 304 STAINLESS | AISI304 | 4 |
| 120-2 | BOLT | 304 STAINLESS | AISI304 | 8 |
| 120-3 | BOLT | 304 STAINLESS | AISI304 | 4 |
| 120-4 | BOLT | 304 STAINLESS | AISI304 | 4 |
| 120-5 | BOLT | 304 STAINLESS | AISI304 | 3 |
| 120-6 | BOLT | 304 STAINLESS | AISI304 | 4 |
| 120-7 | BOLT | 304 STAINLESS | AISI304 | 2 |
| 125 | BOLT | 304 STAINLESS | AISI304 | 1 |

| PART NO. | PART NAME | MATERIAL | ASTM, AISI CODE | NO. FOR 1 UNIT |
|----------|------------------|---------------|-----------------|----------------|
| 174 | DISCHARGE ELBOW | CAST IRON | A48 Class 30 | 1 |
| 193-1 | PLUG | 304 STAINLESS | AISI304 | 1 |
| 193-2 | PLUG | 304 STAINLESS | AISI304 | 1 |
| 200 | LIFTING HANGER | STEEL | A283 Grade D | 1 |
| 213 | AIR VENT VALVE | BRASS | B36 No. 272 | 1 |
| 801 | ROTOR | — | | 1 |
| 802 | STATOR | — | | 1 |
| 811-1 | POWER CABLE | — | | 1 |
| 811-2 | CONTROL CABLE | — | | 1 |
| 814 | MOTOR COVER | CAST IRON | A48 Class 30 | 1 |
| 816 | BRACKET | CAST IRON | A48 Class 30 | 1 |
| 817 | BRACKET | CAST IRON | A48 Class 30 | 1 |
| 830 | SHAFT | 403 STAINLESS | AISI403 | 1 |
| 838 | WASHER | 304 STAINLESS | AISI304 | 2 |
| †849-1 | BALL BEARING | — | | 1 |
| †849-2 | BALL BEARING | — | | 1 |
| 876 | MOTOR PROTECTOR | — | | 3 |
| 909 | LEAKAGE DETECTOR | — | | 1 |
| 924 | PACKING | RUBBER (NBR) | | 2 |

Motors are purchased as a complete unit
 †: Recommended spare parts

Instruction Manual

7½ to 10HP



| PART NO. | PART NAME | MATERIAL | ASTM, AISI CODE | NO. FOR 1 UNIT |
|----------|---------------------|---------------|-----------------|----------------|
| 001 | CASING | CAST IRON | A48 Class 30 | 1 |
| 005 | INTERMEDIATE CASING | CAST IRON | A48 Class 30 | 1 |
| †012 | SUCTION COVER | CAST IRON | A48 Class 30 | 1 |
| †021 | IMPELLER | CAST IRON | A48 Class 30 | 1 |
| 039 | KEY | 420 STAINLESS | AISI420 | 1 |
| †111 | MECHANICAL SEAL | — | | 1 SET |
| †114 | OIL SEAL | RUBBER (NBR) | | 1 |
| †115-1 | O-RING | RUBBER (NBR) | | 1 |
| †115-2 | O-RING | RUBBER (NBR) | | 1 |
| †115-3 | O-RING | RUBBER (NBR) | | 1 |
| †115-4 | O-RING | RUBBER (NBR) | | 1 |
| †115-5 | O-RING | RUBBER (NBR) | | 1 |
| †117 | GASKET | | | 1 |
| 120-1 | BOLT | 304 STAINLESS | AISI304 | 4 |
| 120-2 | BOLT | 304 STAINLESS | AISI304 | 8 |
| 120-3 | BOLT | 304 STAINLESS | AISI304 | 4 |
| 120-4 | BOLT | 304 STAINLESS | AISI304 | 6 |
| 120-5 | BOLT | 304 STAINLESS | AISI304 | 3 |
| 120-6 | BOLT | 304 STAINLESS | AISI304 | 4 |
| 120-7 | BOLT | 304 STAINLESS | AISI304 | 2 |
| 125 | BOLT | 304 STAINLESS | AISI304 | 1 |

| PART NO. | PART NAME | MATERIAL | ASTM, AISI CODE | NO. FOR 1 UNIT |
|----------|------------------|-----------------|-----------------|----------------|
| 174 | DISCHARGE ELBOW | CAST IRON | A48 Class 30 | 1 |
| 193-1 | PLUG | 304 STAINLESS | AISI304 | 1 |
| 193-2 | PLUG | 304 STAINLESS | AISI304 | 1 |
| 200 | LIFTING HANGER | STEEL | A283 Grade D | 1 |
| 213 | AIR VENT VALVE | BRASS | B36 No. 272 | 1 |
| 801 | ROTOR | — | | 1 |
| 802 | STATOR | — | | 1 |
| 811-1 | POWER CABLE | — | | 1 |
| 811-2 | CONTROL CABLE | — | | 1 |
| 814 | MOTOR COVER | CAST IRON | A48 Class 30 | 1 |
| 816 | BRACKET | CAST IRON | A48 Class 30 | 1 |
| 817 | BRACKET | CAST IRON | A48 Class 30 | 1 |
| 830 | SHAFT | 420J2 STAINLESS | AISI420 | 1 |
| 838-1 | WASHER | 304 STAINLESS | AISI304 | 1 |
| 838-2 | WASHER | 304 STAINLESS | AISI304 | 1 |
| †849-1 | BALL BEARING | — | | 1 |
| †849-2 | BALL BEARING | — | | 1 |
| 876 | MOTOR PROTECTOR | — | | 3 |
| 909 | LEAKAGE DETECTOR | — | | 1 |
| 924-1 | PACKING | RUBBER (NBR) | | 1 |
| 924-2 | PACKING | RUBBER (NBR) | | 1 |

Motors are purchased as a complete unit

†: Recommended spare parts



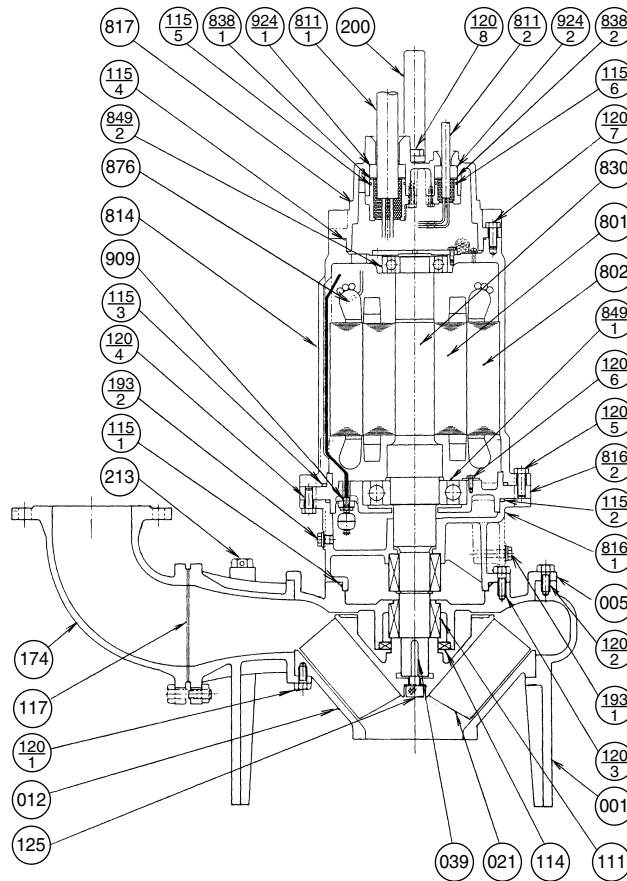
EBARA Fluid Handling

www.pumpsebara.com

(t) 803 327-5005 • (f) 803 327-5097

Instruction Manual

15 to 30HP

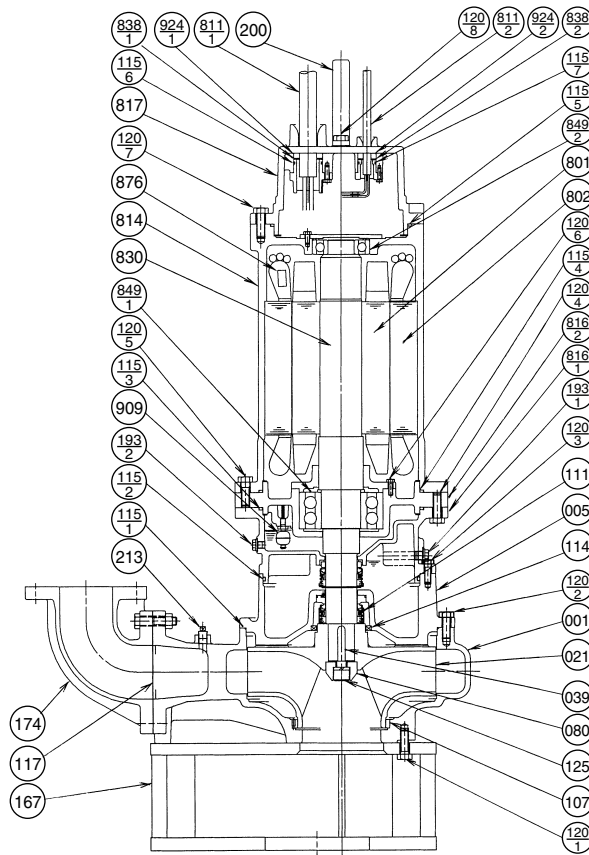


| PART NO. | PART NAME | MATERIAL | ASTM, AISI CODE | NO. FOR 1 UNIT | PART NO. | PART NAME | MATERIAL | ASTM, AISI CODE | NO. FOR 1 UNIT |
|----------|---------------------|---------------|-----------------|----------------|----------|------------------|-----------------|-----------------|----------------|
| 001 | CASING | CAST IRON | A48 Class 30 | 1 | 174 | DISCHARGE ELBOW | CAST IRON | A48 Class 30 | 1 |
| 005 | INTERMEDIATE CASING | CAST IRON | A48 Class 30 | 1 | 193-1 | PLUG | 304 STAINLESS | AISI304 | 1 |
| †012 | SUCTION COVER | CAST IRON | A48 Class 30 | 1 | 193-2 | PLUG | 304 STAINLESS | AISI304 | 1 |
| †021 | IMPELLER | CAST IRON | A48 Class 30 | 1 | 200 | LIFTING HANGER | STEEL | A283 Grade D | 1 |
| 039 | KEY | 420 STAINLESS | AISI420 | 1 | 213 | AIR VENT VALVE | BRASS | B36 No. 272 | 1 |
| †111 | MECHANICAL SEAL | — | | 1 SET | 801 | ROTOR | — | | 1 |
| †114 | OIL SEAL | RUBBER (NBR) | | 1 | 802 | STATOR | — | | 1 |
| †115-1 | O-RING | RUBBER (NBR) | | 1 | 811-1 | POWER CABLE | — | | 1 |
| †115-2 | O-RING | RUBBER (NBR) | | 1 | 811-2 | CONTROL CABLE | — | | 1 |
| †115-3 | O-RING | RUBBER (NBR) | | 1 | 814 | MOTOR COVER | CAST IRON | A48 Class 30 | 1 |
| †115-4 | O-RING | RUBBER (NBR) | | 1 | 816-1 | BRACKET | CAST IRON | A48 Class 30 | 1 |
| †115-5 | O-RING | RUBBER (NBR) | | 1 | 816-2 | BRACKET | CAST IRON | A48 Class 30 | 1 |
| †115-6 | O-RING | RUBBER (NBR) | | 1 | 817 | BRACKET | CAST IRON | A48 Class 30 | 1 |
| †117 | GASKET | | | 1 | 830 | SHAFT | 420J2 STAINLESS | AISI420 | 1 |
| 120-1 | BOLT | 304 STAINLESS | AISI304 | 4 | 838-1 | WASHER | 304 STAINLESS | AISI304 | 1 |
| 120-2 | BOLT | 304 STAINLESS | AISI304 | 8 | 838-2 | WASHER | 304 STAINLESS | AISI304 | 1 |
| 120-3 | BOLT | 304 STAINLESS | AISI304 | 4 | †849-1 | BALL BEARING | — | | 1 |
| 120-4 | BOLT | 304 STAINLESS | AISI304 | 6 | †849-2 | BALL BEARING | — | | 1 |
| 120-5 | BOLT | 304 STAINLESS | AISI304 | 6 | 876 | MOTOR PROTECTOR | — | | 3 |
| 120-6 | BOLT | 304 STAINLESS | AISI304 | 3 | 909 | LEAKAGE DETECTOR | — | | 1 |
| 120-7 | BOLT | 304 STAINLESS | AISI304 | 6 | 924-1 | PACKING | RUBBER (NBR) | | 1 |
| 120-8 | BOLT | 304 STAINLESS | AISI304 | 2 | 924-2 | PACKING | RUBBER (NBR) | | 1 |
| 125 | BOLT | 304 STAINLESS | AISI304 | 1 | | | | | |

Motors are purchased as a complete unit
 †: Recommended spare parts

Instruction Manual

40 to 60HP
100DLFU



| PART NO. | PART NAME | MATERIAL | ASTM, AISI CODE | NO. FOR 1 UNIT | PART NO. | PART NAME | MATERIAL | ASTM, AISI CODE | NO. FOR 1 UNIT |
|----------|---------------------|---------------|-----------------|----------------|----------|------------------|-----------------|-----------------|----------------|
| 001 | CASING | CAST IRON | A48 Class 30 | 1 | 125 | BOLT | 304 STAINLESS | AISI304 | 1 |
| 005 | INTERMEDIATE CASING | CAST IRON | A48 Class 30 | 1 | *167 | BASE | STEEL | A283 Grade D | 1 |
| †021 | IMPELLER | CAST IRON | A48 Class 30 | 1 | 174 | DISCHARGE ELBOW | CAST IRON | A48 Class 30 | 1 |
| 039 | KEY | 420 STAINLESS | AISI420 | 1 | 193-1 | PLUG | 304 STAINLESS | AISI304 | 1 |
| 080 | BUSHING | 304 STAINLESS | AISI 304 | 1 | 193-2 | PLUG | 304 STAINLESS | AISI304 | 1 |
| †107 | WEARING RING | 304 STAINLESS | AISI 304 | 1 | 200 | LIFTING HANGER | STEEL | A283 Grade D | 1 |
| †111 | MECHANICAL SEAL | — | — | 1 SET | 213 | AIR VENT VALVE | BRASS | B36 No. 272 | 1 |
| †114 | OIL SEAL | RUBBER (NBR) | — | 1 | 801 | ROTOR | — | — | 1 |
| †115-1 | O-RING | RUBBER (NBR) | — | 1 | 802 | STATOR | — | — | 1 |
| †115-2 | O-RING | RUBBER (NBR) | — | 1 | 811-1 | POWER CABLE | — | — | 2 |
| †115-3 | O-RING | RUBBER (NBR) | — | 1 | 811-2 | CONTROL CABLE | — | — | 1 |
| †115-4 | O-RING | RUBBER (NBR) | — | 1 | 814 | MOTOR COVER | CAST IRON | A48 Class 30 | 1 |
| †115-5 | O-RING | RUBBER (NBR) | — | 1 | 816-1 | BRACKET | CAST IRON | A48 Class 30 | 1 |
| †115-6 | O-RING | RUBBER (NBR) | — | 2 | 816-2 | BRACKET | CAST IRON | A48 Class 30 | 1 |
| †115-7 | O-RING | RUBBER (NBR) | — | 1 | 817 | BRACKET | CAST IRON | A48 Class 30 | 1 |
| †117 | GASKET | — | — | 1 | 830 | SHAFT | 420J2 STAINLESS | AISI420 | 1 |
| 120-1 | BOLT | 304 STAINLESS | AISI304 | 8 | 838-1 | WASHER | 304 STAINLESS | AISI304 | 2 |
| 120-2 | BOLT | 304 STAINLESS | AISI304 | 8 | 838-2 | WASHER | 304 STAINLESS | AISI304 | 1 |
| 120-3 | BOLT | 304 STAINLESS | AISI304 | 8 | †849-1 | BALL BEARING | — | — | 1 SET |
| 120-4 | BOLT | 304 STAINLESS | AISI304 | 8 | †849-2 | BALL BEARING | — | — | 1 |
| 120-5 | BOLT | 304 STAINLESS | AISI304 | 6 | 876 | MOTOR PROTECTOR | — | — | 3 |
| 120-6 | BOLT | 304 STAINLESS | AISI304 | 4 | 909 | LEAKAGE DETECTOR | — | — | 1 |
| 120-7 | BOLT | 304 STAINLESS | AISI304 | 6 | 924-1 | PACKING | RUBBER (NBR) | — | 2 |
| 120-8 | BOLT | 304 STAINLESS | AISI304 | 2 | 924-2 | PACKING | RUBBER (NBR) | — | 1 |

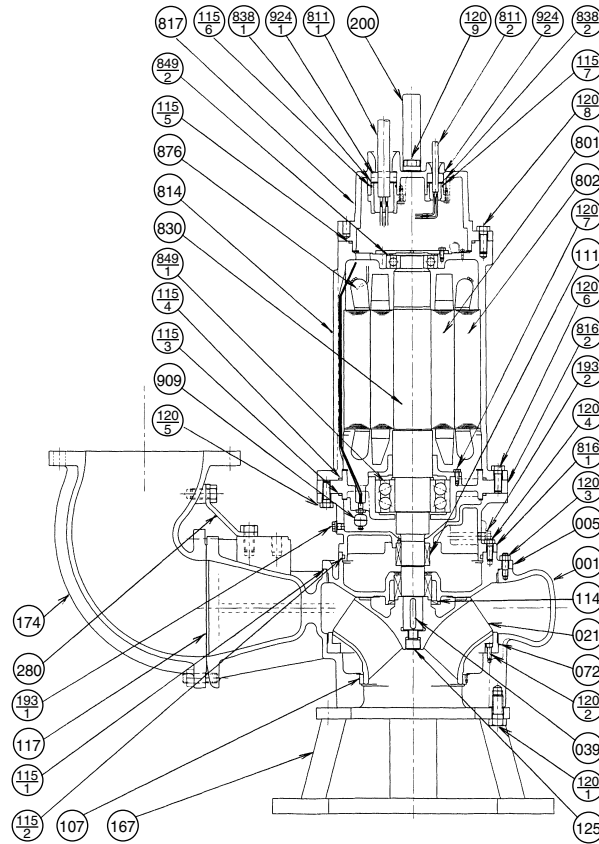
Motors are purchased as a complete unit

†: Recommended spare parts

*: Option for hard-piped installations

Instruction Manual

40 to 60HP
 150DLFU
 200DLFU
 250DLFU
 300DLFU



| PART NO. | PART NAME | MATERIAL | ASTM, AISI CODE | NO. FOR 1 UNIT |
|----------|---------------------|---------------|-----------------|----------------|
| 001 | CASING | CAST IRON | A48 Class 30 | 1 |
| 005 | INTERMEDIATE CASING | CAST IRON | A48 Class 30 | 1 |
| †021 | IMPELLER | DUCTILE IRON | A536 60-40-18 | 1 |
| 039 | KEY | 420 STAINLESS | AISI420 | 1 |
| †072 | SIDE RING | CAST IRON | A48 Class 30 | 1 |
| †107 | WEARING RING | 304 STAINLESS | AISI304 | 1 |
| †111 | MECHANICAL SEAL | — | | 1 SET |
| †114 | OIL SEAL | RUBBER (NBR) | | 1 |
| †115-1 | O-RING | RUBBER (NBR) | | 1 |
| †115-2 | O-RING | RUBBER (NBR) | | 1 |
| †115-3 | O-RING | RUBBER (NBR) | | 1 |
| †115-4 | O-RING | RUBBER (NBR) | | 1 |
| †115-5 | O-RING | RUBBER (NBR) | | 1 |
| †115-6 | O-RING | RUBBER (NBR) | | 2 |
| †115-7 | O-RING | RUBBER (NBR) | | 1 |
| †117 | GASKET | | | 1 |
| 120-1 | BOLT | 304 STAINLESS | AISI304 | 3/4 |
| 120-2 | BOLT | 304 STAINLESS | AISI304 | 4 |
| 120-3 | BOLT | 304 STAINLESS | AISI304 | 8 |
| 120-4 | BOLT | 304 STAINLESS | AISI304 | 4 |
| 120-5 | BOLT | 304 STAINLESS | AISI304 | 8 |
| 120-6 | BOLT | 304 STAINLESS | AISI304 | 8 |
| 120-7 | BOLT | 304 STAINLESS | AISI304 | 4 |
| 120-8 | BOLT | 304 STAINLESS | AISI304 | 6 |
| 120-9 | BOLT | 304 STAINLESS | AISI304 | 2 |

| PART NO. | PART NAME | MATERIAL | ASTM, AISI CODE | NO. FOR 1 UNIT |
|----------|------------------|-----------------|-----------------|----------------|
| 125 | BOLT | 304 STAINLESS | AISI304 | 1 |
| *167 | BASE | STEEL | A283 Grade D | 1 |
| 174 | DISCHARGE ELBOW | CAST IRON | A48 Class 30 | 1 |
| 193-1 | PLUG | 304 STAINLESS | AISI304 | 1 |
| 193-2 | PLUG | 304 STAINLESS | AISI304 | 1 |
| 200 | LIFTING HANGER | STEEL | A283 Grade D | 1 |
| 280 | ELBOW SUPPORT | STEEL | A283 Grade D | 2 |
| 801 | ROTOR | — | | 1 |
| 802 | STATOR | — | | 1 |
| 811-1 | POWER CABLE | — | | 2 |
| 811-2 | CONTROL CABLE | — | | 1 |
| 814 | MOTOR COVER | CAST IRON | A48 Class 30 | 1 |
| 816-1 | BRACKET | CAST IRON | A48 Class 30 | 1 |
| 816-2 | BRACKET | CAST IRON | A48 Class 30 | 1 |
| 817 | BRACKET | CAST IRON | A48 Class 30 | 1 |
| 830 | SHAFT | 420J2 STAINLESS | AISI420 | 1 |
| 838-1 | WASHER | 304 STAINLESS | AISI304 | 2 |
| 838-2 | WASHER | 304 STAINLESS | AISI304 | 1 |
| †849-1 | BALL BEARING | — | | 1 SET |
| †849-2 | BALL BEARING | — | | 1 |
| 876 | MOTOR PROTECTOR | — | | 3 |
| 909 | LEAKAGE DETECTOR | — | | 1 |
| 924-1 | PACKING | RUBBER (NBR) | | 2 |
| 924-2 | PACKING | RUBBER (NBR) | | 1 |

Motors are purchased as a complete unit

†: Recommended spare parts

*: Option for hard-piped installations

Instruction Manual

Maintenance and Service

6. Disassembly and Assembly:

⚠ CAUTION

All service should be done by factory trained or qualified personnel only.
Be sure to cut off power source before beginning disassembly.

Please contact the following for assistance:

Ebara International Corporation
Customer Service Manager
1651 Cedar Line Drive
Rock Hill, South Carolina 29730

Thermal Protection

The motor shall be equipped with a protector such as automatic cut-off device and thermal protector. The motors described below shall incorporate Miniature Thermal Protectors (MTP) which are embedded in the windings.

When temperature of the winding raises and reaches the MTP acting point, the motor protection circuit is activated to protect motor from over heat.

1. Applicable model

Model: DGFU, DLFU, DVFU, DDLFU

2. MTP Specifications:

Model

KLIXON 9700K-66-215

Type of Contact

b (Normally-Closed contact Acting-open)

Acting Temperature

140±5°C (284±9°F)

Re-setting Temperature

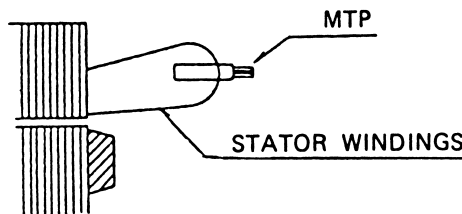
85±10°C (185±18°F)

Capacity of Contact

| | | | | |
|--------------|-------|--------|--------|--------|
| Voltage (V) | DC 24 | AC 115 | AC 230 | AC 460 |
| Amperage (A) | 18 | 18 | 13 | 5.5 |

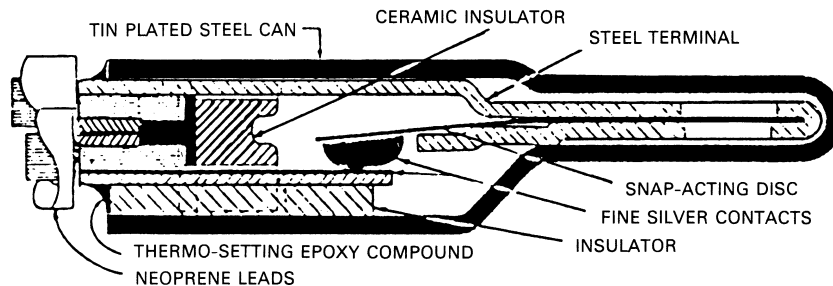
3. Installation:

MTP shall be embedded in the stator windings as shown at right –



4. Construction:

Construction of the MTP is as shown below:



Instruction Manual

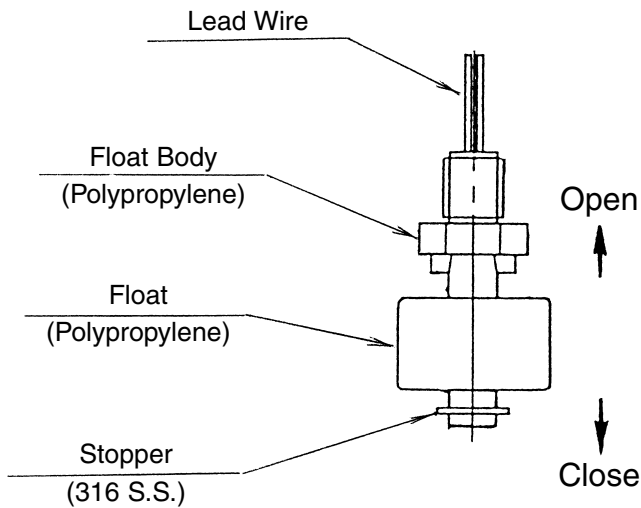
Leakage Detector

1. Construction:

Each switch has a magnet-containing float which senses the liquid level and magnetically actuates a dry reed switch encapsulated within a stem. The switch opens on rise of liquid.

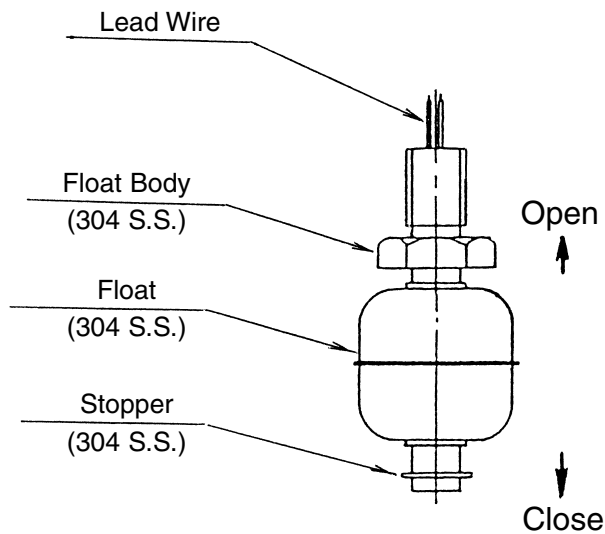
2. Specifications

- Apply to 2 to 10HP



Breaking Capacity : AC50VA, DC50W
 Max. Breaking Current : AC0.5A, DC0.5A
 Max. Operating Voltage : AC300V, DC300V

- Apply to 15 to 60HP



Breaking Capacity : AC12VA, DC10W
 Max. Breaking Current : AC0.6A, DC0.5A
 Max. Operating Voltage : AC200V, DC200V

Instruction Manual

Limited Warranty**1. All specifications subject to change without notice****2. Limited warranty:**

EIC warrants for a period of twelve months from the date of initial startup or eighteen months from the date of shipment, whichever shall first occur (the "Warranty Period") the EIC Products to be delivered hereunder against defects in material and workmanship, under normal use and service when installed, used and maintained in accordance with instructions supplied by EIC. This is EIC's sole and exclusive warranty. It applies only to EIC Products and specifically excludes Other Equipment, whether or not such Other Equipment is included in EIC's scope of supply hereunder. Such Other Equipment is warranted only by its manufacturer. If such a defect appears in EIC Products within the Warranty Period and Purchaser has given EIC immediate written notice of same, EIC will either repair the part, or at its option replace the part, by shipping a similar part F.O.B. EIC's shipping point, or at its option refund an equitable portion of the purchase price. EIC may require the return of the defective part, transportation prepaid, to establish the claim. All costs of removal, reinstallation, field labor and transportation shall be borne by the Purchaser. No allowance will be made for repairs without EIC's written consent or approval, and the Warranty Period shall not be suspended upon stopping operation for warranty repairs, nor recommence upon completion of the warranty repairs, but shall run continuously from commencement until normal expiration. Repair parts shall carry no greater warranty than the remaining balance of the underlying EIC Product into which they may be installed, expiring at the same time as said underlying warranty.

Any descriptions of the EIC Products or Other Equipment, any specifications, and any samples, models, bulletins, or similar material used in connection with this sale are for the sole purpose of identifying the said Equipment and are not to be construed as express or implied warranties. Unless during the warranty period all repairs or replacements or parts or components for EIC Products are with EIC-approved parts or components, and all warranty service is performed by EIC or its authorized distributor or representative, the warranty responsibility of EIC shall immediately terminate.

EIC MAKES NO OTHER WARRANTY OF ANY KIND WHATSOEVER, EXPRESS OR IMPLIED; AND ALL WARRANTIES OF MERCHANTABILITY AND FITNESS FOR A PARTICULAR PURPOSE ARE HEREBY DISCLAIMED BY EIC AND EXCLUDED FROM THESE CONDITIONS. The Purchaser's sole and exclusive remedy, whether upon warranty, contract or tort, including negligence, will be to proceed under this warranty. All liability of EIC shall terminate no later than the expiration of the Warranty Period.



***Contact your dealer or supplier
for more information about other EBARA products:***



EBARA Fluid Handling

1651 Cedar Line Drive • Rock Hill, SC 29730

(803) 327-5005 (t) • (803) 327-5097 (f)

www.pumpsebara.com

© 2009 EBARA International Corporation

EFH_DLFU 1109