

# ABS Piranha submersible grinder pump 08 - 125

ABS submersible pumps for problem-free pumping of sewage containing faecal matter in pipe lines from 1¼" (DN 32) in accordance with EN 12050-1.



## Applications

Piranha submersible pumps have been designed for effective and economic dewatering using discharge lines of small diameter, in private, municipal and industrial areas.

- Sewage removal from living units and houses in remote settlements where the laying of a conventional sewer would be too expensive, where large ground undulations are present or where it is only possible to lay pipe lines of small diameter.
- Sewage removal from motorway resting sites, communal buildings and for renovation of buildings or areas of a city.
- For use in slaughter houses, food processing plants, paper factories, agriculture and similar areas.
- Piranha 08 and 09 are specially designed for private and domestic applications.
- Maximum allowable temperature of the medium is 40 °C, or short term to 60 °C (max. 5 minutes).



## Construction

The water pressure-tight, encapsulated fully flood-proof motor and the pump section form a compact, robust, unit construction.

## Bearings

The stainless steel motor shaft is supported in lubricated-for-life ball bearings.

## Shaft sealing

Piranha 08 - S30: Between motor and hydraulic section by means of a high quality sealing unit using a silicon carbide mechanical seal. Seal at motor side is by oil lubricated lip seal.

Piranha PE25/2C - 125/2E: Double mechanical seals, SiC-SiC at the hydraulic side, SiC-C at the motor.

All seals are independent of direction of rotation and resistant to temperature shock

## Discharge

Piranha 08 and 09: G 1¼" internal thread

Piranha S10 - PE45/2C: DN 32 flange (G 1¼" threaded adaptor available as accessory)

Piranha PE80/2E - PE125/2E: DN 50 with DIN-flange

## Shredding system

Spiral bottom plate and stationary cutter ring combined with a shredding rotor located before the impeller, for optimum blockage-free running.

## Temperature monitoring

Thermal sensors in the stator to switch off the pump in the case of overheating and switch on automatically after cooling down.

## Seal monitoring

DI system consisting of a sensor in the motor and oil chambers which signals an inspection alert if there is leakage at the shaft seals. Not available for Piranha 08 and 09.

## Features

- Unique ABS Piranha shredding system capable of shredding items such as cloths and plastic bags.
- For the pumping of wastewater containing sewage, offal, organic and industrial effluent.
- Piranha 08 and 09 fitted with MF modular motor; Piranha-S with AS, Piranha-PE with XFP Premium Efficiency IE3.
- Small discharge lines from 1¼" (DN 32).
- Installations are possible where large ground undulations are present.
- Standard and Ex-versions (see motor data below).
- Piranha 08 and 09 have capacitor in upper lid and do not require a control box.
- Low installation costs due to small diameter discharge pipe-work.

## Motor

Three-phase 460 V or single-phase 230 V, 50 Hz, 2-pole (3400 r/min) or 4-pole (1750 r/min).

Cooled by amply dimensioned cooling areas.

Piranha 08 & 09: insulation class F, protection type IP 68, non-Ex only.

Piranha S10 - S30: insulation class F, protection type IP 68, Ex and non-Ex.

Piranha PE25/2C - PE125/2E: Premium Efficiency IE3 with NEMA Class A temperature rise, insulation class H, protection type IP 68, Ex only.

Explosive-proof versions are in accordance with EX d IIB T4 and ATEX international standards.

## Materials

Description	Material
Upper Lid *	Stainless steel 1.4301 (AISI 304)
Motor Housing	Cast iron EN-GJL-250
Rotor Shaft	Stainless steel 1.4021 (AISI 420)
Volute	Cast iron EN-GJL-250
Impeller **	Cast iron EN-GJL-250
Fasteners	Stainless steel 1.4401 (AISI 316)

\* Piranha 08 and 09

\*\* Polyamide for Piranha 08

## Technical Data

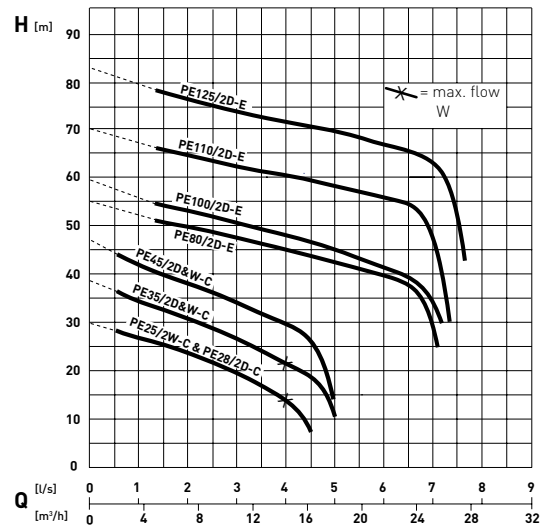
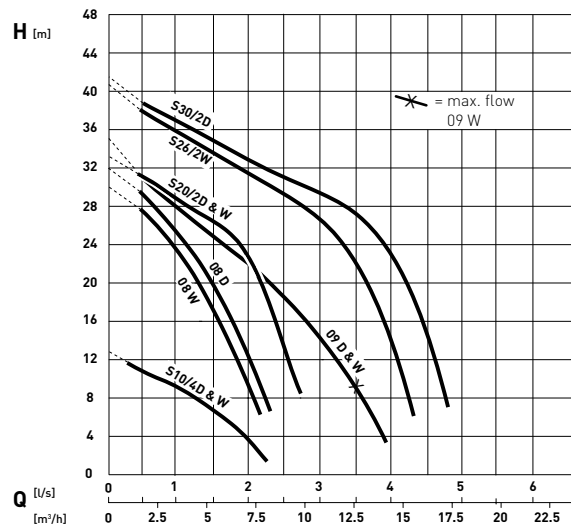
Piranha	Discharge		Motor power **		Rated current (A)	Rated voltage (V)	Speed (r/min)	Cable size Std & Ex	Weight *** (kg)
	Flange DN	Internal thread *	P <sub>1</sub>	P <sub>2</sub>					
08/2W	-	G 1¼"	2.15	1.50	9.39	230 1~	3400	SJTOW-A 16/3	18
08/2D	-	G 1¼"	1.85	1.50	2.87	460 3~	3400	STOW-A 16/4	18
09/2W	-	G 1¼"	2.83	2.25	13.50	230 1~	3400	SJTOW-A 16/3	23
09/2D	-	G 1¼"	2.53	2.00	3.98	460 3~	3400	STOW-A 16/4	23
S10/4W <sup>(1)</sup>	32	G 1¼"	1.48	1.00	6.50	230 1~	1750	SOW-A 14/7	32
S10/4D	32	G 1¼"	1.33	1.00	2.60	460 3~	1750	SOW-A 14/7	32
S20/2W <sup>(1)</sup>	32	G 1¼"	2.45	1.80	11.50	230 1~	3400	SOW-A 14/7	32
S20/2D	32	G 1¼"	2.42	1.80	3.61	460 3~	3400	SOW-A 14/7	32
S26/2W <sup>(1)</sup>	32	G 1¼"	3.13	2.60	13.70	230 1~	3400	SOW-A 14/7	40
S30/2D	32	G 1¼"	3.87	3.00	5.50	460 3~	3400	SOW-A 14/7	53
PE25/2W-C	32	G 1¼"	3.74	2.50	16.60	230 1~	3400	SOOW 12/7	85
PE28/2D-C	32	G 1¼"	3.21	2.80	4.72	460 3~	3400	SOOW 14/7	85
PE35/2W-C	32	G 1¼"	5.19	3.50	24.00	230 1~	3400	SOOW 10/7	85
PE35/2D-C	32	G 1¼"	3.94	3.50	5.81	460 3~	3400	SOOW 14/7	85
PE45/2W-C	32	G 1¼"	5.60	4.60	7.69	230 1~	3400	AWM 8/4+16/3	85
PE45/2D-C	32	G 1¼"	5.10	4.50	7.40	460 3~	3400	SOOW 12/7	85
PE80/2D-E	50 DIN	-	8.87	8.00	13.30	460 3~	3400	SOOW 12/7	130
PE100/2D-E	50 DIN	-	10.80	10.00	17.30	460 3~	3400	SOOW 10/7	145
PE110/2D-E	50 DIN	-	12.00	11.00	18.60	460 3~	3400	SOOW 10/7	145
PE125/2D-E	50 DIN	-	13.70	12.50	21.30	460 3~	3400	AWM 8/4+16/3	145

\* Piranha S10/4 - PE45/2 with threaded flange adaptor as accessory \*\* P<sub>1</sub> = Power at mains; P<sub>2</sub> = Power at motor shaft

\*\*\* Weight with 10 m cable

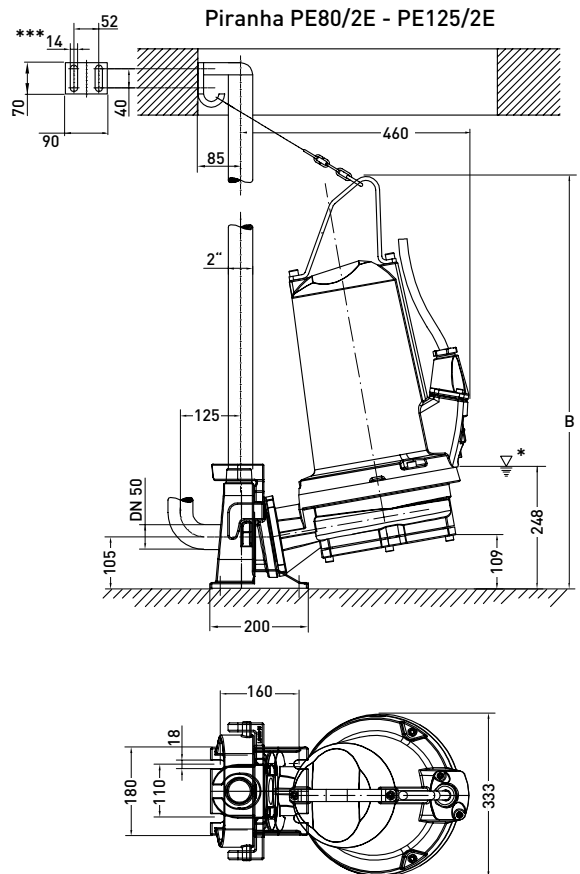
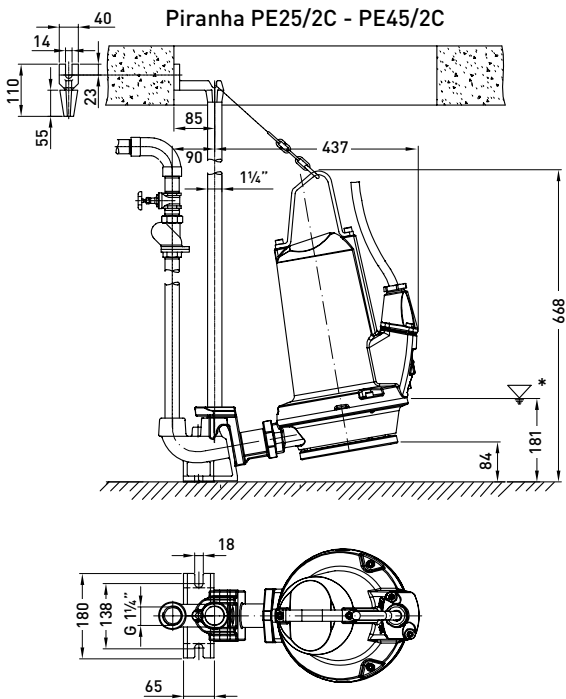
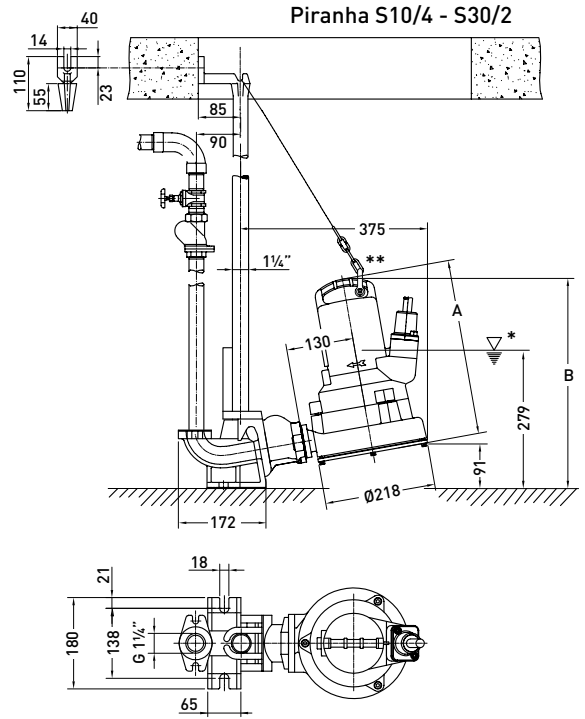
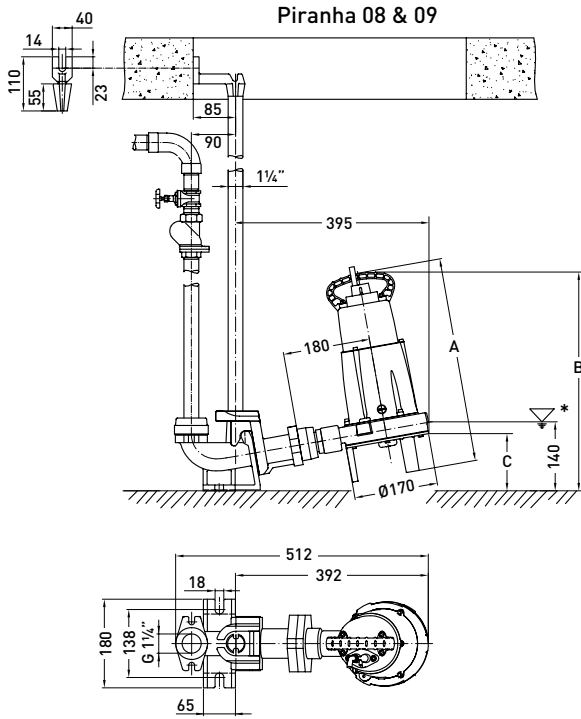
<sup>(1)</sup> Start and Run capacitor to the following specification required in control panel.  
 Start: 161-193µF for S10/4W & S20/2W, 200µF for S26/2W  
 Run: 30µF for S10/4W, 20µF for S20/2W, 50µF for S26/2W  
 The recommended start time for the motors is two seconds.

## Performance Curves



H = Total Head; Q = Discharge Volume. Curves to ISO 9906 N.B. please use the ABSEL program to validate pump selection.

Dimensions (mm)



Piranha	A	B	C
S10/4 & S20/2	347	414	368
S26/2 & S30/2	360	427	374
PE80/2E	-	774	-
PE100/2E - PE125/2E	-	843	-

Piranha 08 - PE125/2E: Minimum sump opening  $\varnothing 625$  mm  
 Pedestal base secured using M10 masonry anchor bolts, drill hole size 14 mm  
 \* Lowest switch-off point for automatic operation

Piranha PE80/2E - PE125/2E: Discharge line connection with threaded flange DN 50/2" PN16  
 Discharge elbow supplied by customer  
 \*\* Hexagon head wood screw 10 x 70 DIN 571 and dowel size 12

## Accessories

	Description	Size	Part no.	Piranha	
<b>Fixed installation with pedestal</b>	<b>Pedestal</b> (EN-GJL-250) 90° cast bend	G 1¼"	62325007	08 & 09	
		G 1¼"	62320674	S10/4-S30/2,	
		G 1¼"	62320676	PE25/2C-45/2C	
		90° cast bend with built-in non-return valve	G 1¼"	62320536	S10/4-S30/2
			G 1¼"	62320538	PE25/2C-45/2C
		without bend	DN 50/G2"	62320660	PE80/2E-125/2E
		<b>Threaded Adaptor</b> hexagon double nipple	G 1¼"	13770011	08 & 09
		<b>Guide Rail</b> (galvanized steel)	1¼" x 1 m	31380007	08-PE125/2E
	1¼" x 2 m		31380008		
	1¼" x 3 m		31380009		
	1¼" x 4 m		31380010		
	1¼" x 5 m		31380011		
	<b>Chain Kit</b> (galvanized steel) including shackle	3 m	61265065	08-PE125/2E	
		4 m	61265093		
		6 m	61265069		
		7 m	61265096		
	<b>Chain Kit</b> (stainless steel) including shackle	3 m	61265081	08-PE125/2E	
		4 m	61265099		
		6 m	61265085		
		7 m	61265102		
<b>Transportable applications</b>	<b>Threaded Flange Kit</b> (EN-GJL-250) including discharge piece, gasket and bolts	G 1¼"	61180512	S10/4-PE45/2C	
	<b>Ground Support Stand</b> (St. 37) with fixing bolts		61900013 61900007	S10/4-S30/2 PE25/2C-125/2E	
	<b>Fixed Coupling</b> (brass) GEKA with external thread	G 1¼"	15020003	S10/4-PE45/2C	
	<b>Hose Coupling</b> with nozzle, outer dia. 34 mm	G 1¼"	15020018	S10/4-PE45/2C	
<b>Horizontal</b> (tank connection)	<b>Pump</b> with built-in flange on suction side	DN 150/PN 16 to DIN 2633	On request	S10/4-PE125/2E	
	<b>Head Support</b> (EN-GJL-250) with vibration damping		62665103	S10/4-S30/2	
<b>General</b>	<b>Non-return Valve</b> (EN-GJL-250) ball valve with internal thread	G1¼"	61400525	08-PE125/2E	
		G1½"	61400526		
		G2"	61400527		
	<b>Shut-off Valve</b> (brass) with internal thread	G1¼"	14040005	08-PE125/2E	
		G1½"	14040006		
		G2"	14040007		